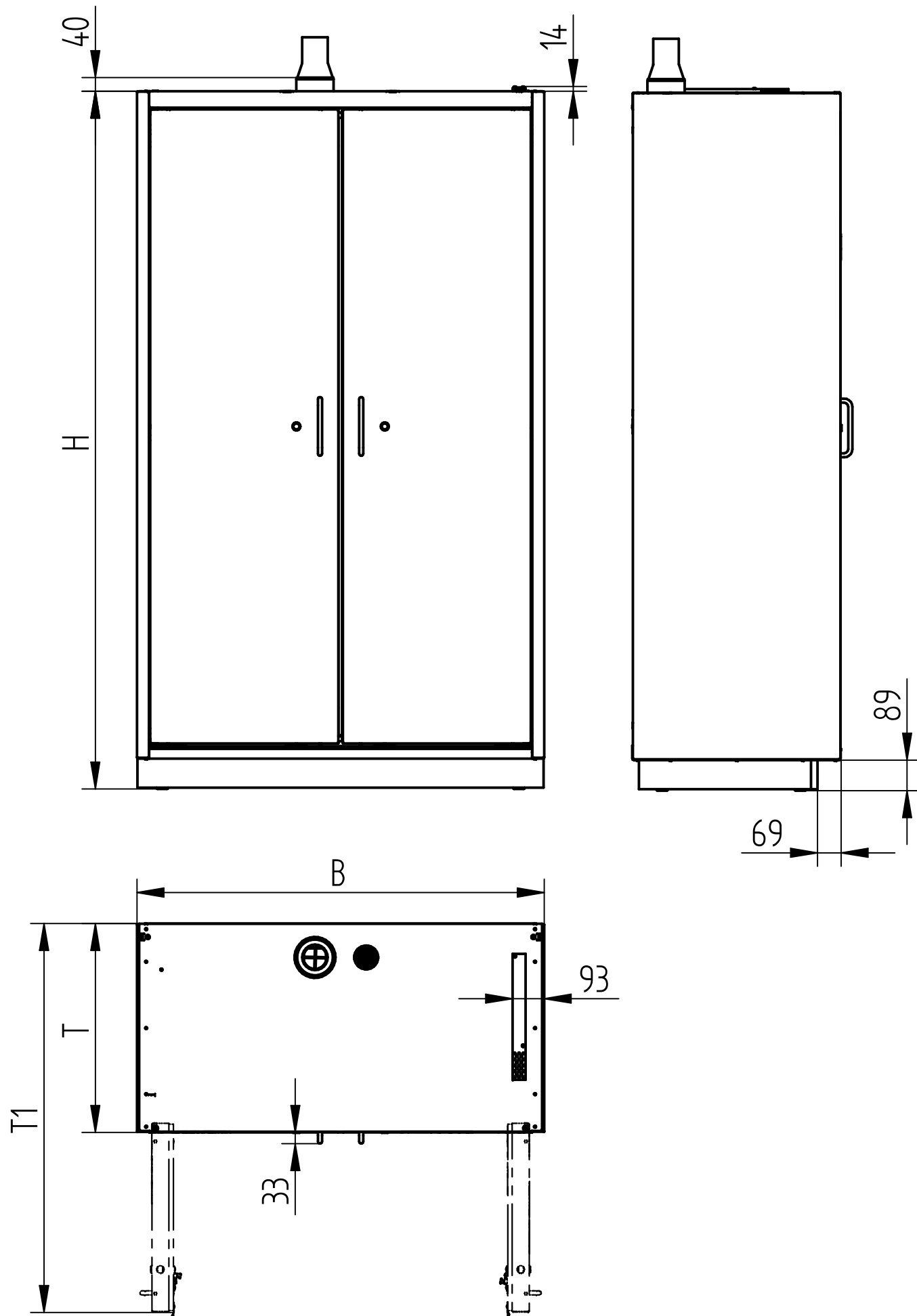




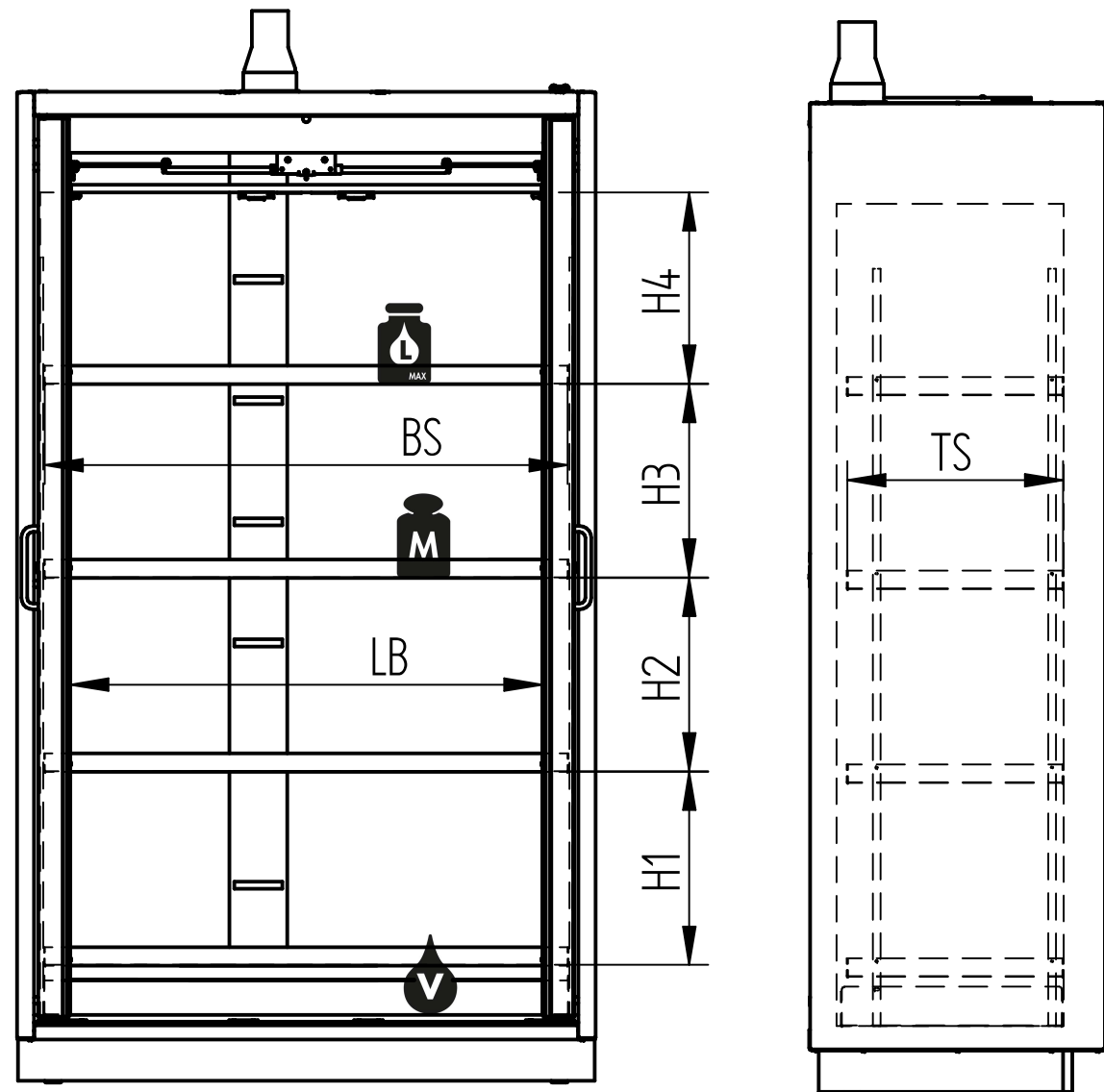
	Model type									
	S	SL	XS	M	ML	L	LL	XL	XL (CPW)	XXL
H (mm)	1385	1385	1385	2045	2045	2045	2045	2045	2045	2045
B (mm)	594	594	1194	594	594	894	894	1194	1194	1650
T (mm)	612	747	612	612	747	612	747	612	612	747
T1 (mm)	1100	1235	1140	1100	1235	990	1123	1140	1140	1483
Doors	1	1	2	1	1	2	2	2	2	2
Tare weight (kg)	200	230	335	275	320	370	415	455	485	850
Inside cabinet volume (m ³)	0,28	0,36	0,61	0,43	0,55	0,69	0,89	0,95	0,95	2x 0,83

CPW: Centre partition wall



Outer dimensions

This drawing is our property! Furnish this information to other persons and reproduce or copy is not permitted without our written permission.	title: Safety cabinet type 90 CLASSIC standard		
	drawing no: 000104769	page: 1 of 4	
Düperthal Sicherheitstechnik Frankenstrasse 3 D-63791 Karlstein	revision: 00	date: 2020-03-05	



	Model type									
	S	SL	XS	M	ML	L	LL	XL	XL (CPW)	XXL
BS (mm)	481	481	1081	481	481	781	781	1081	2x 524	2x 729
TS (mm)	444	579	444	444	579	444	579	444	444	579
M (kg)	75	75	75	75	75	75	75	75	75	75
Max. additional load (kg)	240	240	240	360	360	360	360	360	360	2x 360
L (l)	10	15	30	10	15	20	25	30	15	25
V (l)	11	16,5	33	11	16,5	22	27,5	33	16,5	27,5
LB (mm)	374	374	974	374	374	674	674	974	2x 479	2x 684
Number of storage shelves	2	2	2	4	4	4	4	4	8	8

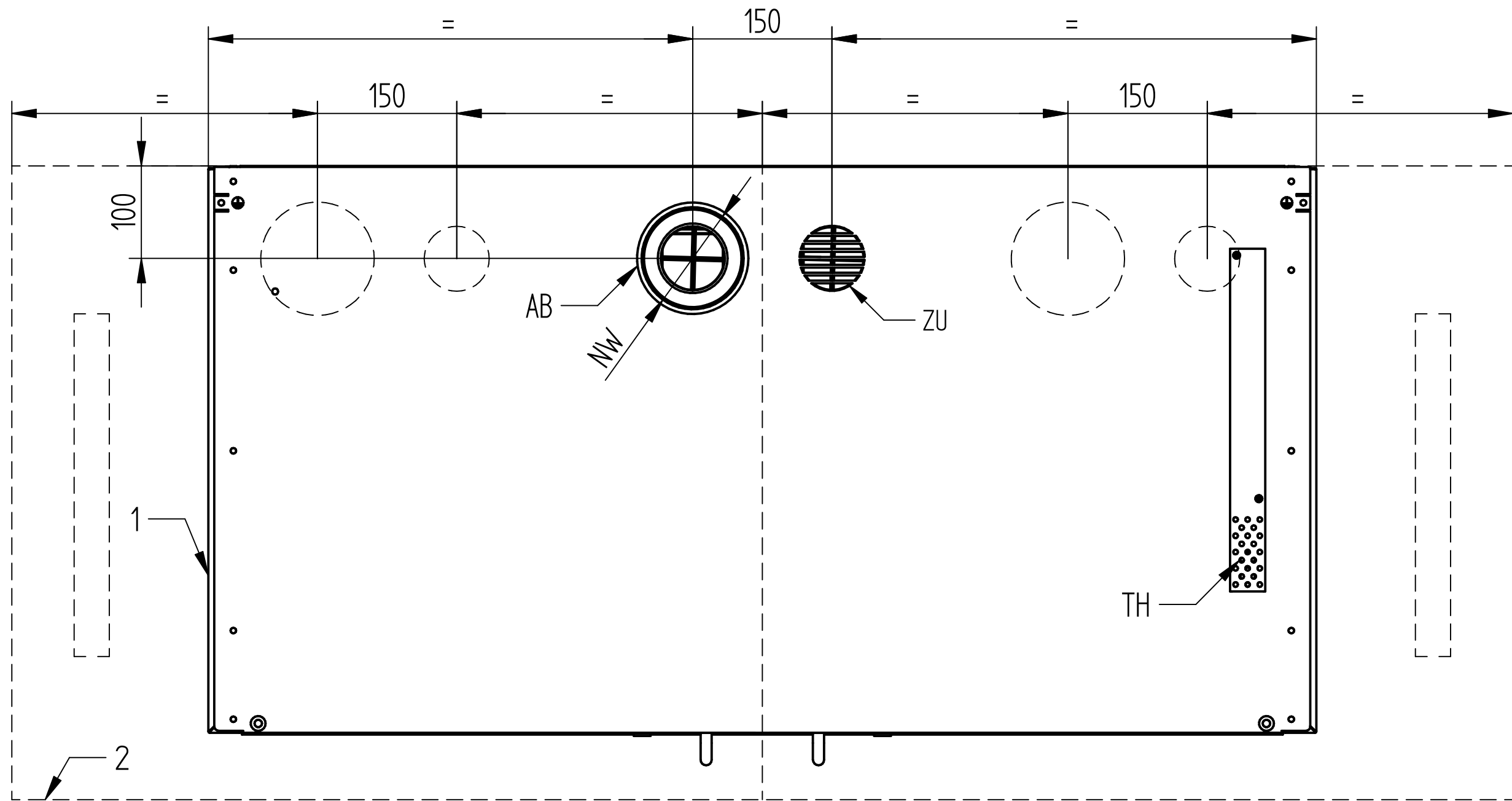
BS: Width storage shelf
 TS: Depth storage shelf
 M: Load bearing capacity per storage shelf (uniformly distributed)
 L: Max. volume of the individual container
 V: Max. collection volume
 LB: Clear width
 CPW: Centre partition wall

Max. container height (mm)			
		Model type	
		S, SL, XS	M, ML, L, LL, XL, XXL
Storage shelves	H1	478	398
	H2	---	398
	H3	---	398
	H4	454	394

Storage shelves adjustable in 16mm pitch

Inner dimensions

This drawing is our property! Furnish this information to other persons and reproduce or copy is not permitted without our written permission.	title: Safety cabinet type 90 CLASSIC standard		
	drawing no: 000104769	page: 2 of 4	
Düperthal Sicherheitstechnik Frankenstrasse 3 D-63791 Karlstein	revision: 00	date: 2020-03-05	

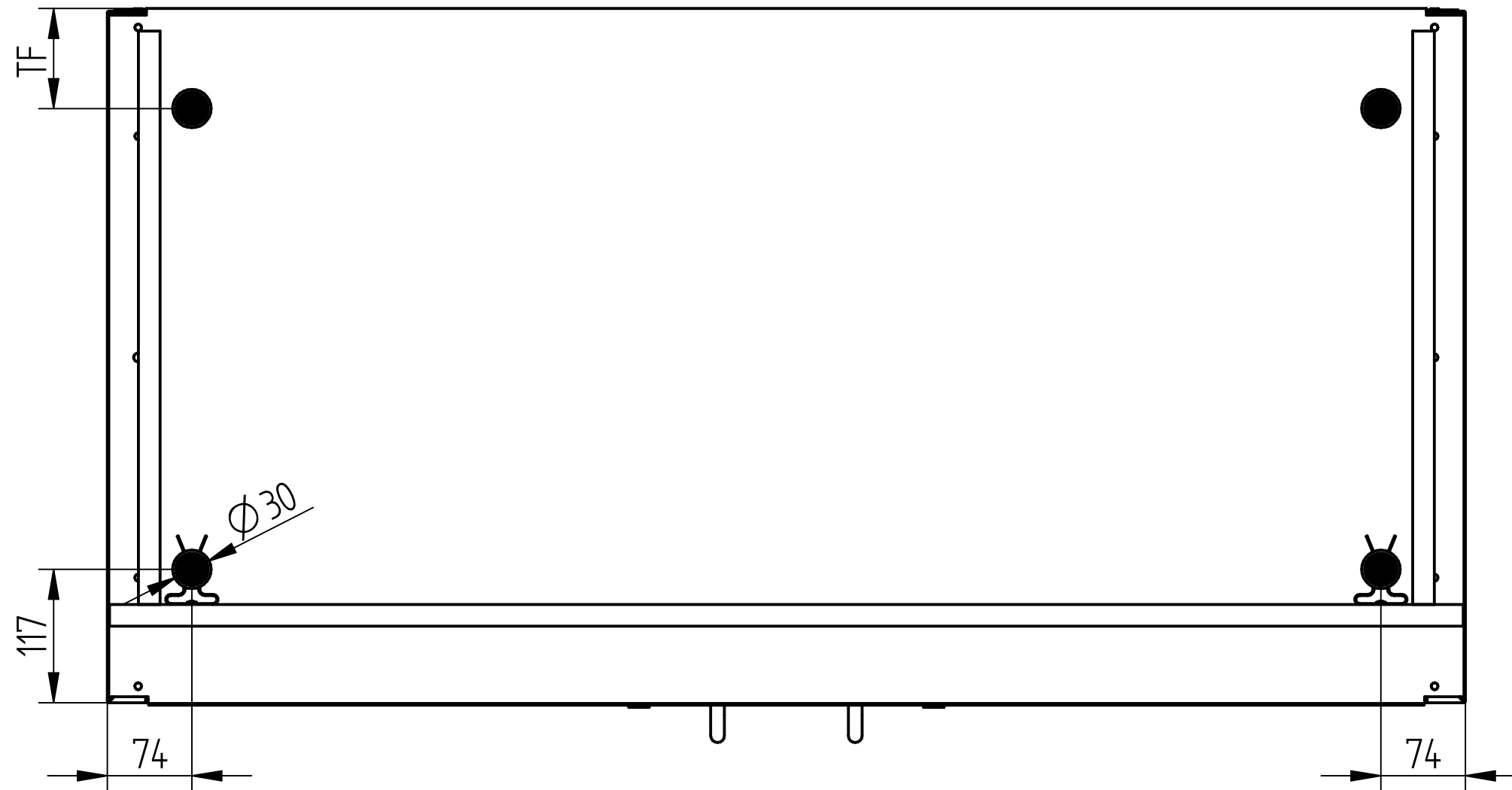


- 1: Model type S-XL
- 2: Model type XXL
- NW: 110, with adapter 75
- AB: Exhaust air connection
- ZU: Supply air
- TH: Thermocouple

Ventilation connection

This drawing is our property! Furnish this information to other persons and reproduce or copy is not permitted without our written permission.	title: Safety cabinet type 90 CLASSIC standard		
	drawing no.: 000104769	page: 3 of 4	
Düperthal Sicherheitstechnik Frankenstrasse 3 D-63791 Karlstein	revision: 00	date: 2020-03-05	

	Model type	
	SL,ML,LL,XXL	S, XS, M, L, XL, XL(CPW)
TF (mm)	83	88



● Loaded footprint

Geometry of the adjustable feet

This drawing is our property! Furnish this information to other persons and reproduce or copy is not permitted without our written permission.	title: Safety cabinet type 90 CLASSIC standard		
	drawing no: 000104769	page: 4 of 4	
Düperthal Sicherheitstechnik Frankenstrasse 3 D-63791 Karlstein	revision: 00	date: 2020-03-05	