

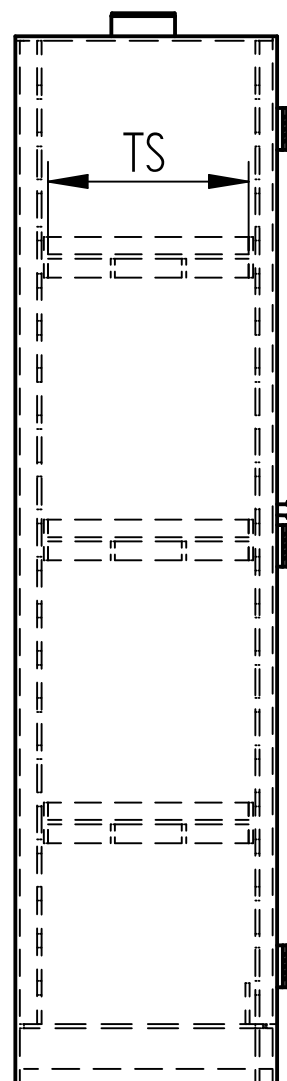
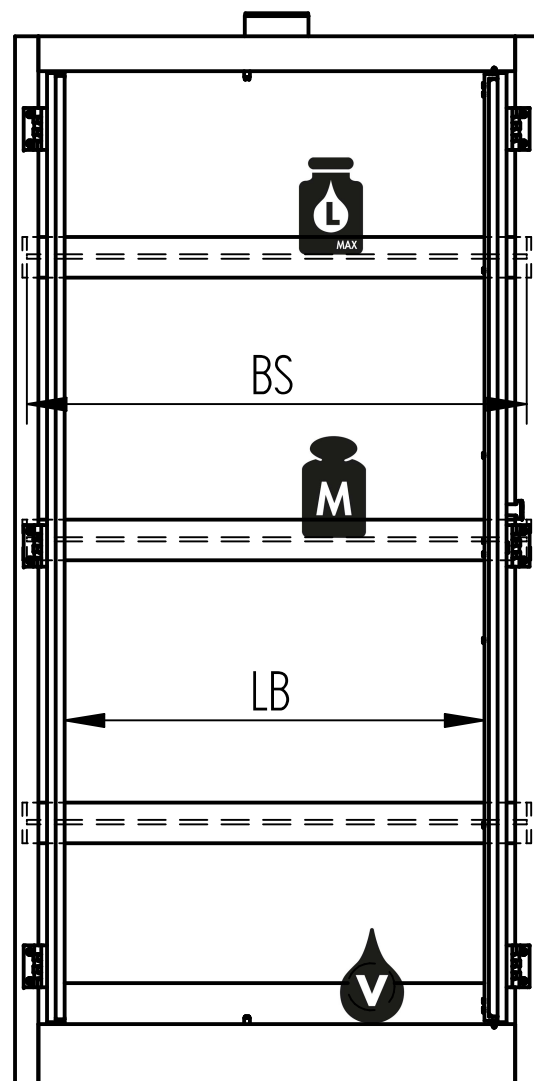


	Model type	
	M	L
H (mm)	1800	1800
B (mm)	600	900
T (mm)	450	450
T1 (mm)	972	880
Doors	1	2
Tare weight (kg)	51	70
Inside cabinet volume (m <sup>3</sup> )	0,39	0,59

### Outer dimensions

This drawing is our property! Furnish this information to other persons and reproduce or copy is not permitted without our written permission.	title: Safety cabinet ACID line PP		
	drawing no: 000104467	page: 1 of 4	
Düperthal Sicherheitstechnik Frankenstrasse 3 D-63791 Karlstein	revision: 00	date: 2020-02-24	

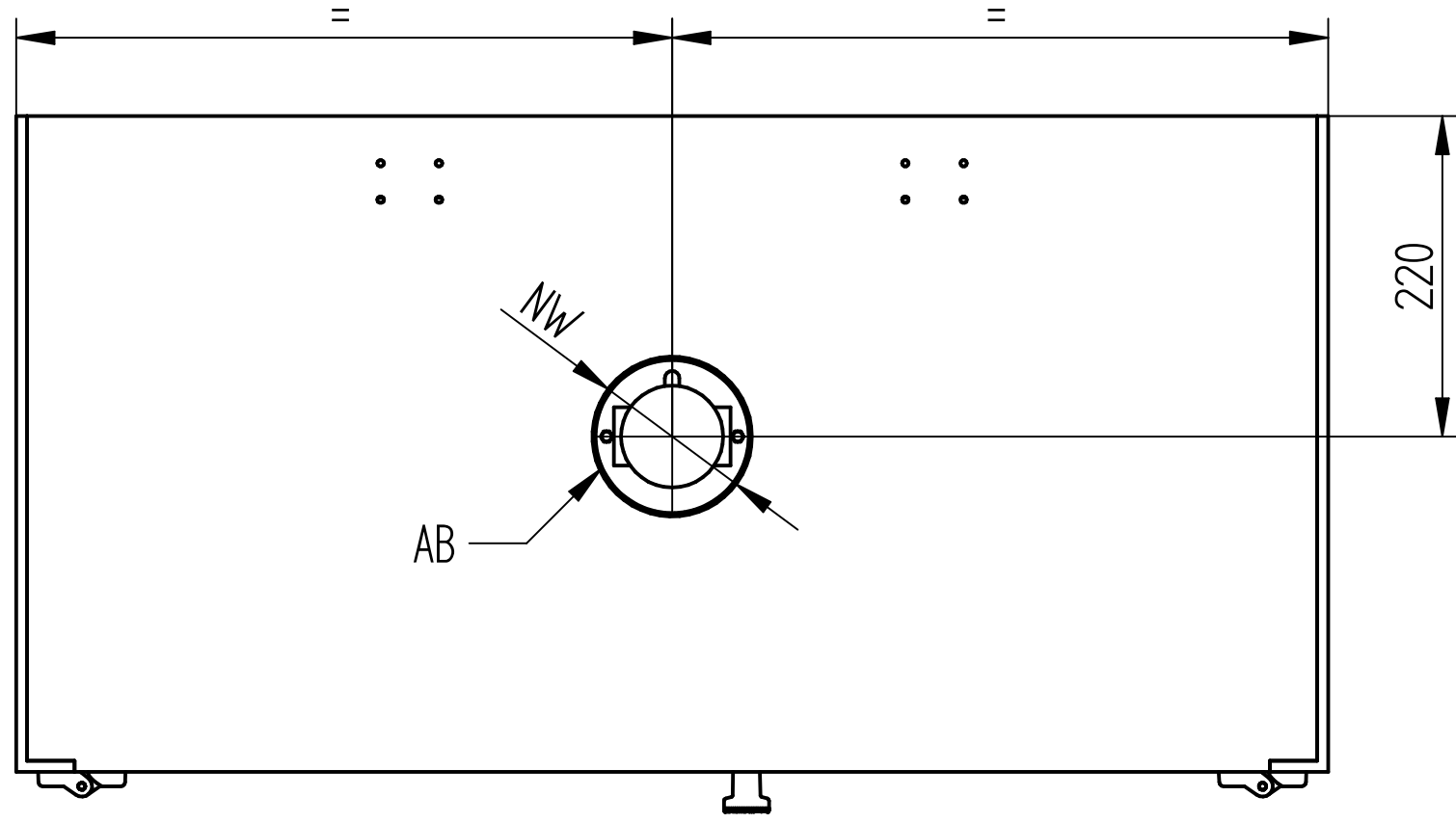


	Model size	
	M	L
<b>BS (mm)</b>	560	860
<b>TS (mm)</b>	345	345
<b>M (kg)</b>	30	30
<b>Max. additional load (kg)</b>	90	90
<b>L (l)</b>	5	8
<b>V (l)</b>	10	15
<b>LB (mm)</b>	452	722
<b>Number of storage shelves</b>	3	3
<b>Storage shelves adjustable in 81mm pitch</b>		

BS: Width storage shelf  
 TS: Depth storage shelf  
 M: Load bearing capacity per storage shelf (uniformly distributed)  
 L: Max. volume of the individual container  
 V: Max. collection volume  
 LB: Clear width

### Inner dimensions

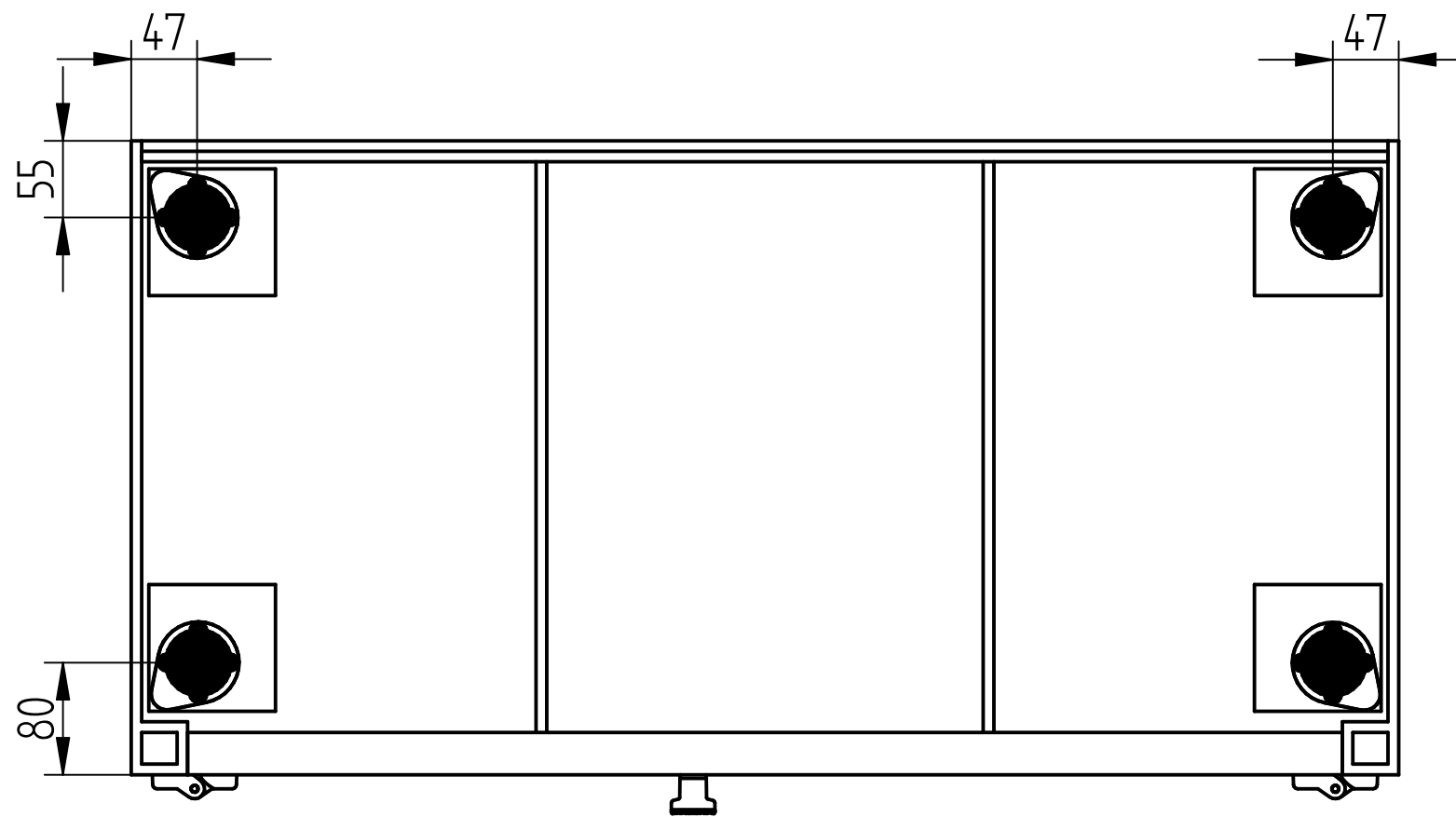
This drawing is our property! Furnish this information to other persons and reproduce or copy is not permitted without our written permission.	title: Safety cabinet ACID line PP		
	drawing no: 000104467	page: 2 of 4	
Düperthal Sicherheitstechnik Frankenstrasse 3 D-63791 Karlstein	revision: 00	date: 2020-02-24	



NW: 110, with adapter 75  
 AB: Exhaust air connection

Ventilation connection

This drawing is our property! Furnish this information to other persons and reproduce or copy is not permitted without our written permission.	title: Safety cabinet ACID line PP		
	drawing no: 000104467	page: 3 of 4	
Düperthal Sicherheitstechnik Frankenstrasse 3 D-63791 Karlstein	revision: 00	date: 2020-02-24	



● Loaded footprint

### Geometry of the adjustable feet

This drawing is our property! Furnish this information to other persons and reproduce or copy is not permitted without our written permission.	title: Safety cabinet ACID line PP		
	drawing no: 000104467	page: 4 of 4	
Düperthal Sicherheitstechnik Frankenstrasse 3 D-63791 Karlstein	revision: 00	date: 2020-02-24	