

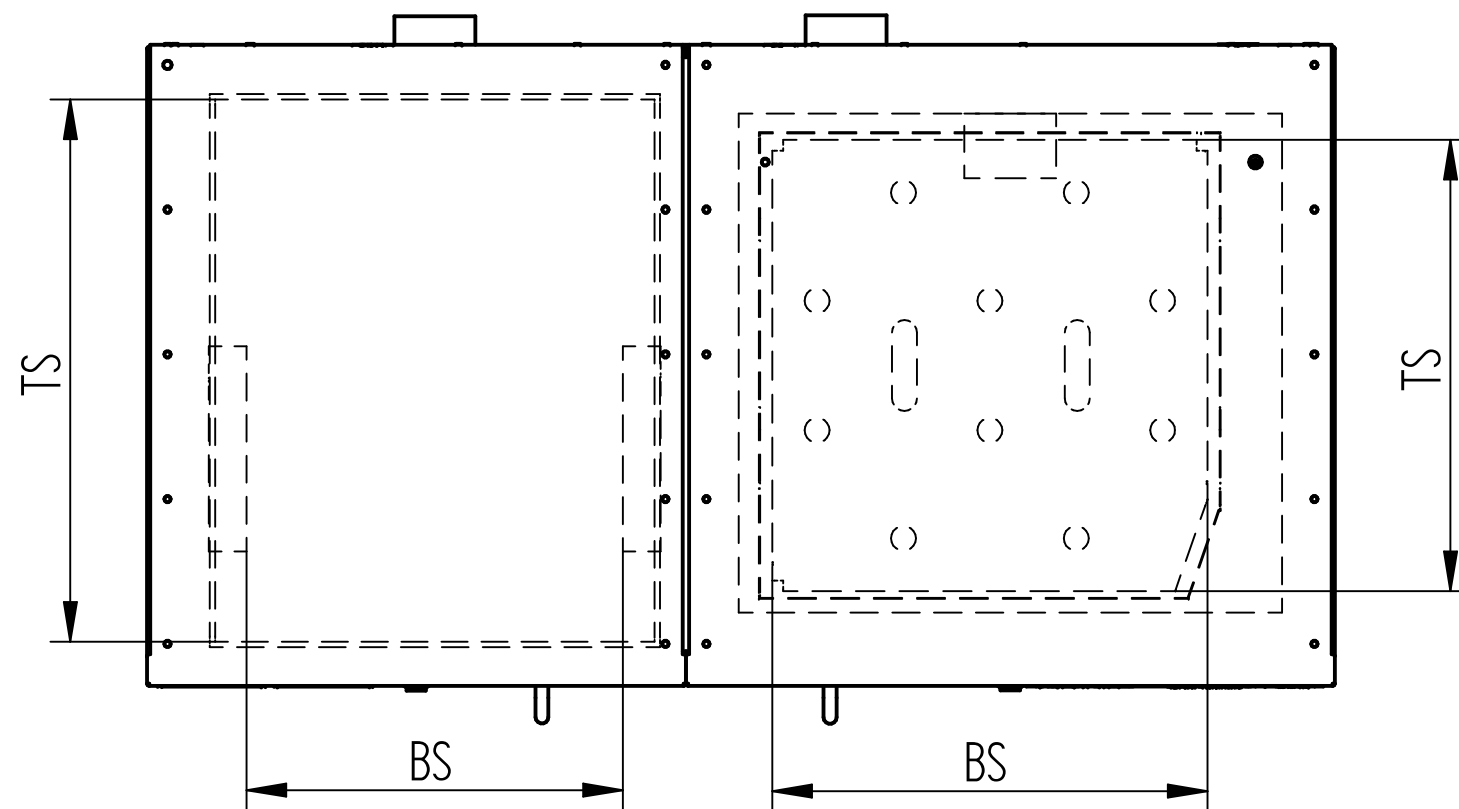
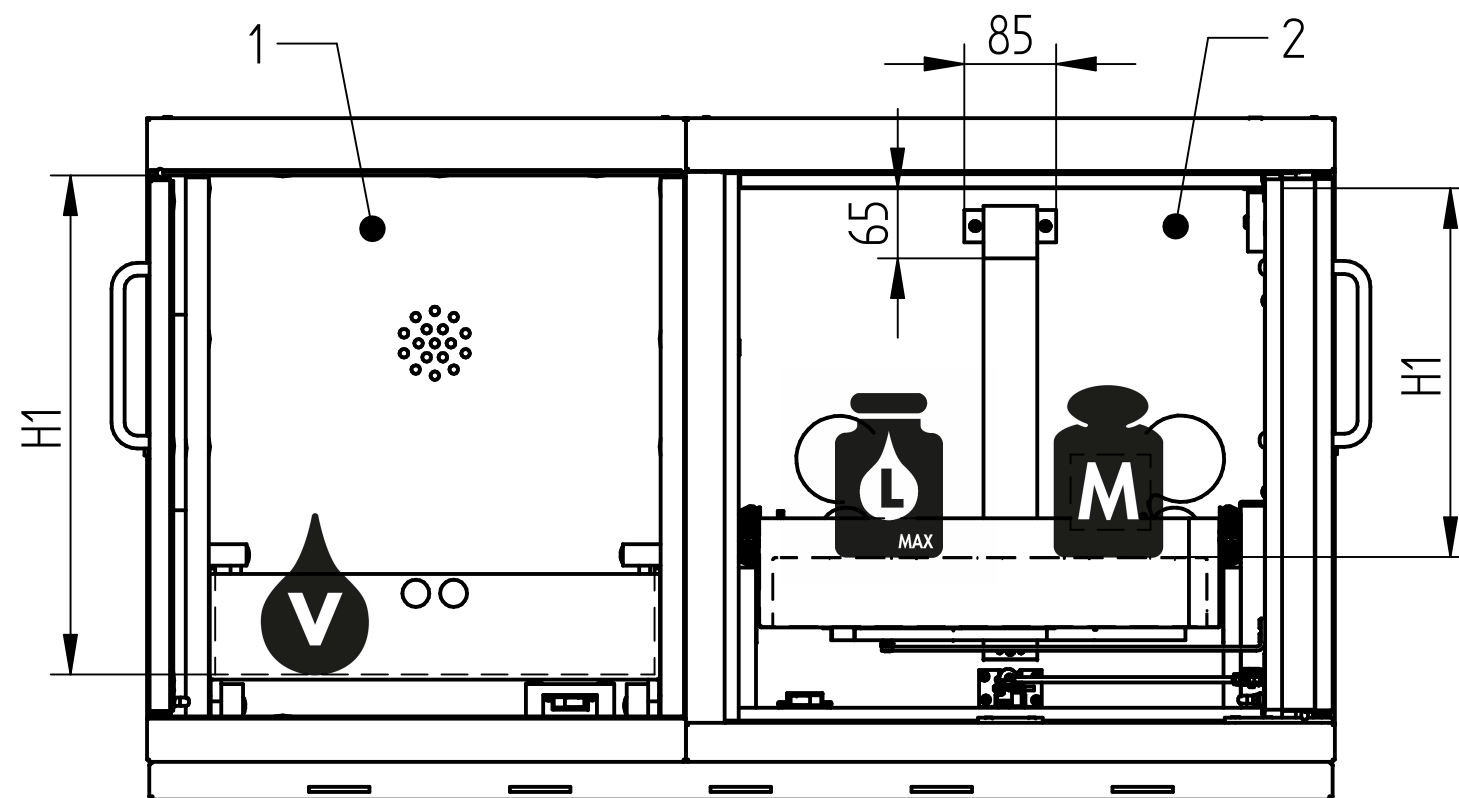


	Model type	
	HSC UTS ergo LD	HSC UTS ergo XL
1 / 2	Storage cabinet / UTS ergo S	Storage cabinet / UTS ergo M
H (mm)	631	631
B (mm)	1100	1400
T (mm)	594	594
T1 (mm)	1068	1068
T2 (mm)	1170	1013
Doors	2	3
Tare weight (kg)	180	225
Max. total weight (kg)	245	290
Inside cabinet volume (m ³) Storage cabinet	0,11	0,11
Inside cabinet volume (m ³) UTS ergo	0,11	0,17

- 1: Storage cabinet
- 2: UTS ergo S / UTS ergo M
- * Standard base height (see page 4)

Outer dimensions



This drawing is our property! Furnish this information to other persons and reproduce or copy is not permitted without our written permission.	title: HSC UTS ergo Hazardous Substance Center with wing doors		
	drawing no: D00111162	page: 1 of 4	
Düperthal Sicherheitstechnik Frankenstrasse 3 D-63791 Karlstein	revision: 00	date: 2021-03-24	

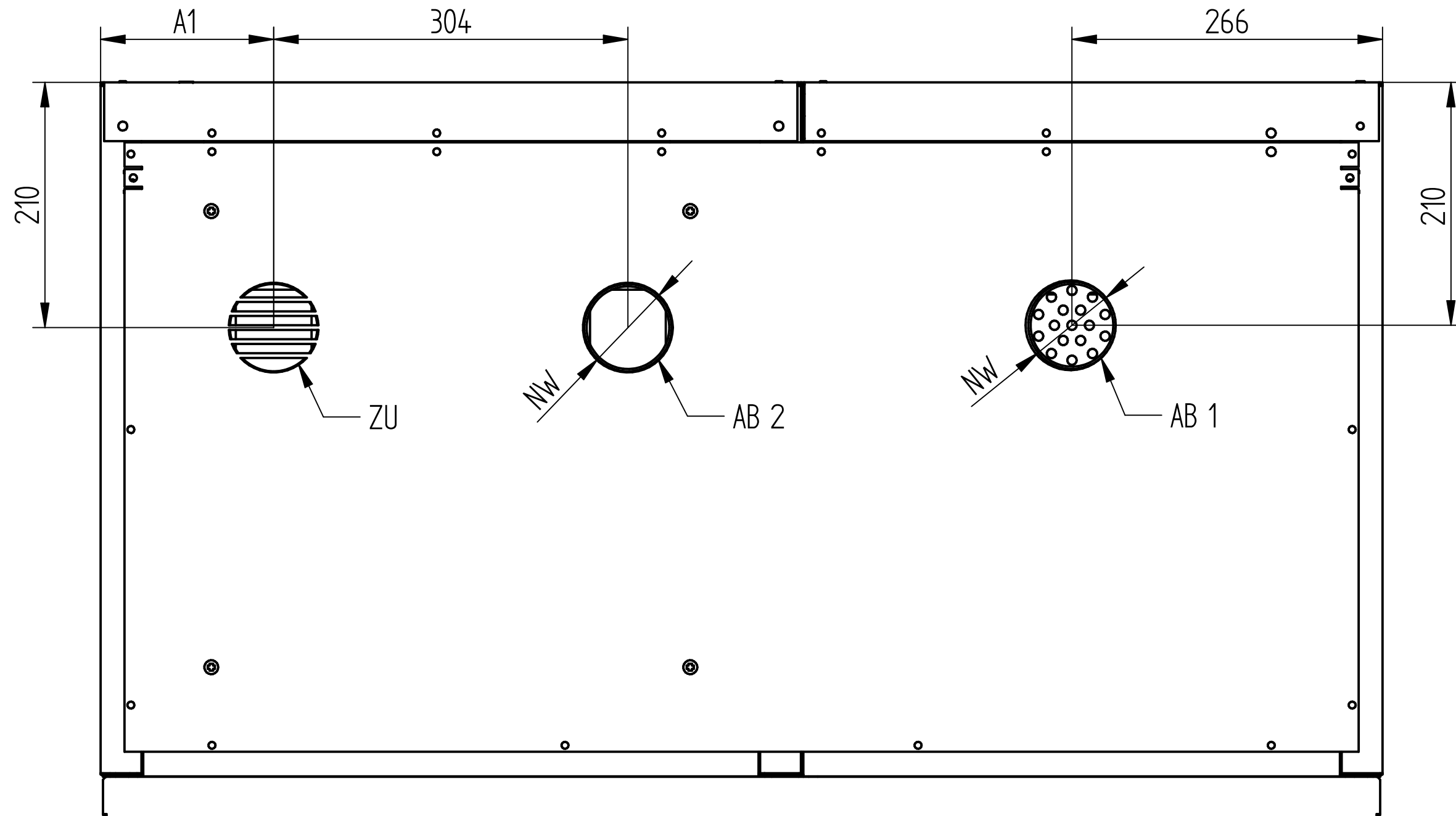


	Model type			
	HSC UTS ergo LD		HSC UTS ergo XL	
	Storage cabinet	UTS ergo S	Storage cabinet	UTS ergo M
H1 (mm)	462	340	462	340
BS (mm)	348	403	348	653
TS (mm)	502	418	502	418
M (kg)	20	45	20	45
Max. additional load (kg)	20	45	20	45
L (l)	10	10	10	16
V (l)	11	11	11	18
Number of storage areas	1	1	1	1

- 1: Storage cabinet
- 2: UTS ergo S / UTS ergo M
- H1: Max. setting height
- BS: Width storage area
- TS: Depth storage area
- M: Load bearing capacity per storage area (uniformly distributed)
- L: Max. volume of the individual container
- V: Max. collection volume

Inner dimensions

This drawing is our property! Furnish this information to other persons and reproduce or copy is not permitted without our written permission.	title: HSC UTS ergo Hazardous Substance Center with wing doors		
	drawing no.: D00111162	page: 2 of 4	
Düperthal Sicherheitstechnik Frankenstrasse 3 D-63791 Karlstein	revision: 00	date: 2021-03-24	



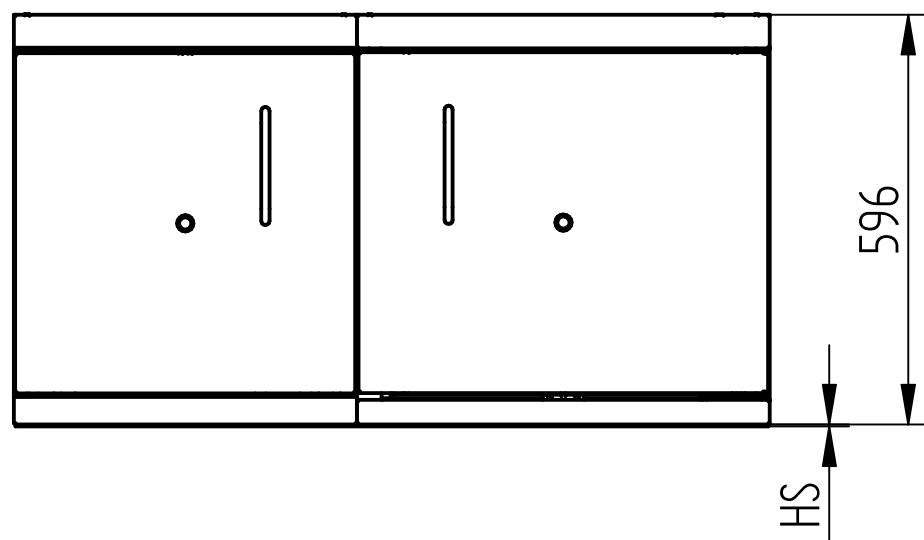
	Model type	
	HSC UTS ergo LD	HSC UTS ergo XL
A1 (mm)	148	292

NW: 75
 AB 1: Exhaust air connection storage cabinet
 AB 2: Exhaust air connection UTS ergo
 ZU: Supply air UTS ergo

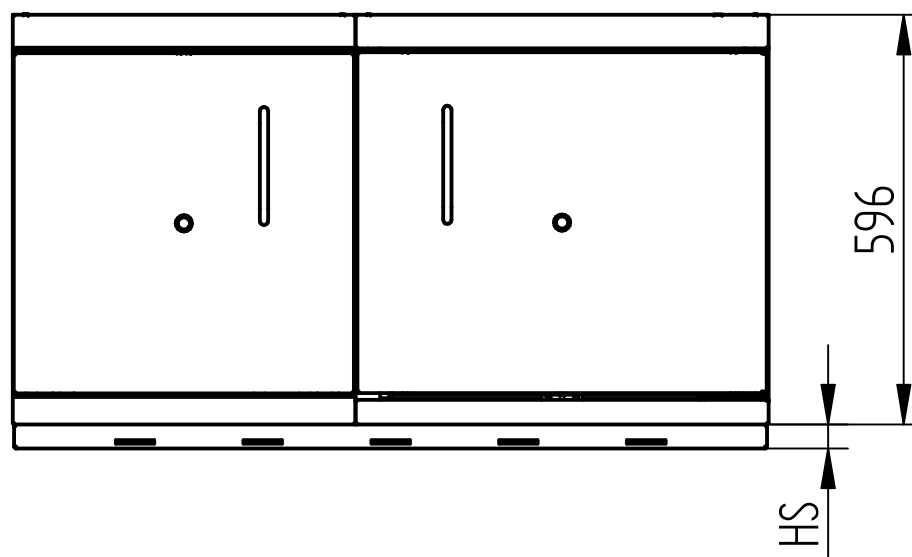
Ventilation connection

This drawing is our property! Furnish this information to other persons and reproduce or copy is not permitted without our written permission.	title: HSC UTS ergo Hazardous Substance Center with wing doors		
	drawing no: D0011162	page: 3 of 4	
Düperthal Sicherheitstechnik Frankenstrasse 3 D-63791 Karlstein	revision: 00	date: 2021-03-24	

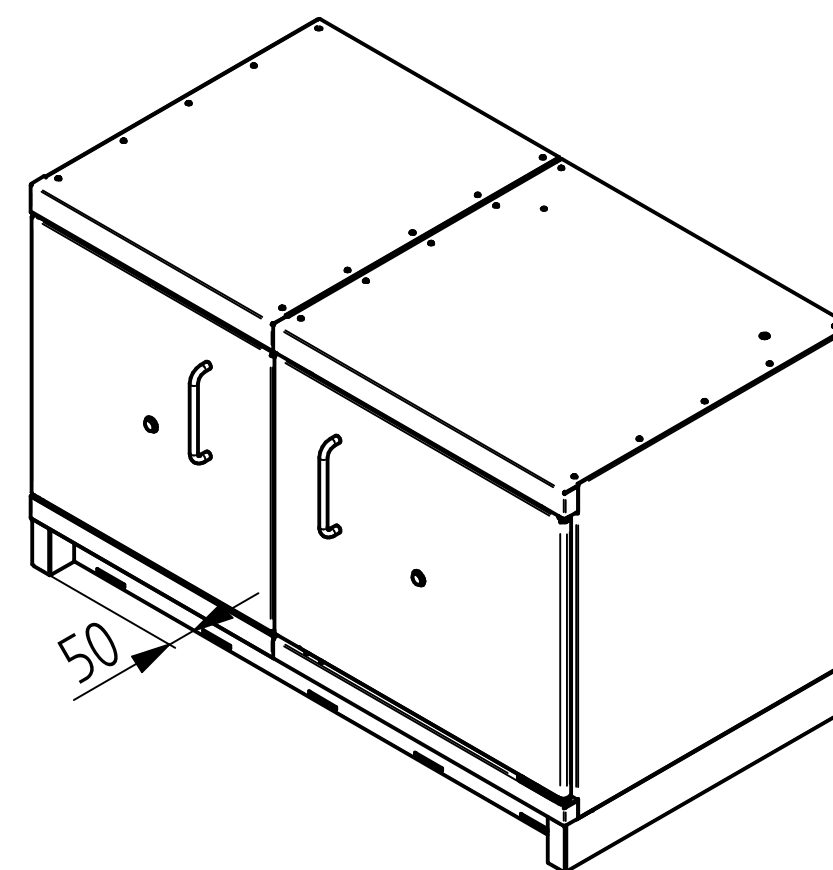
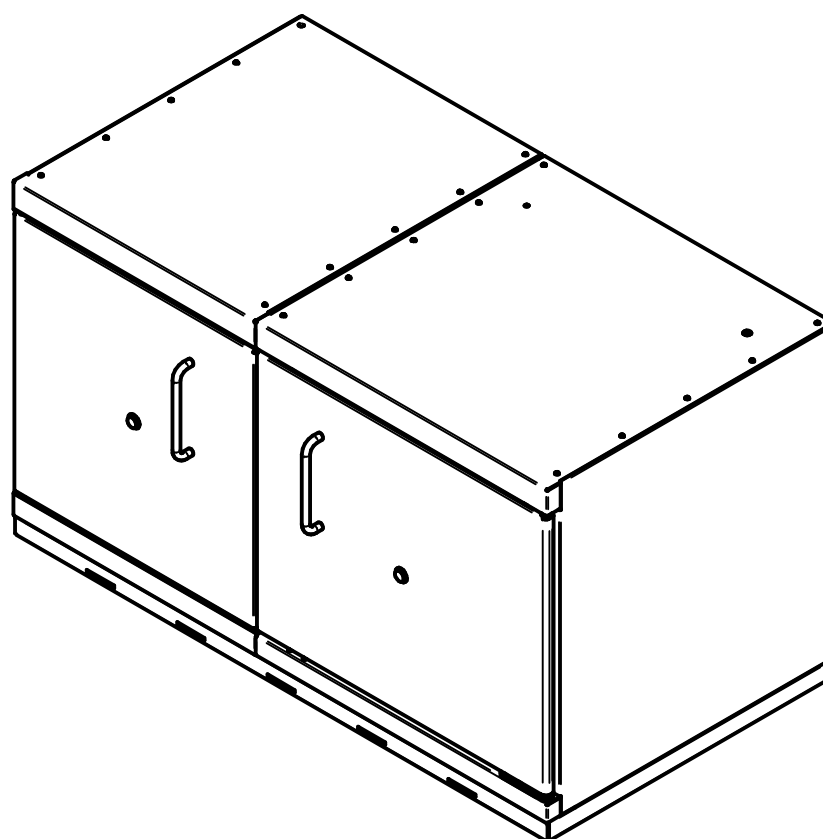
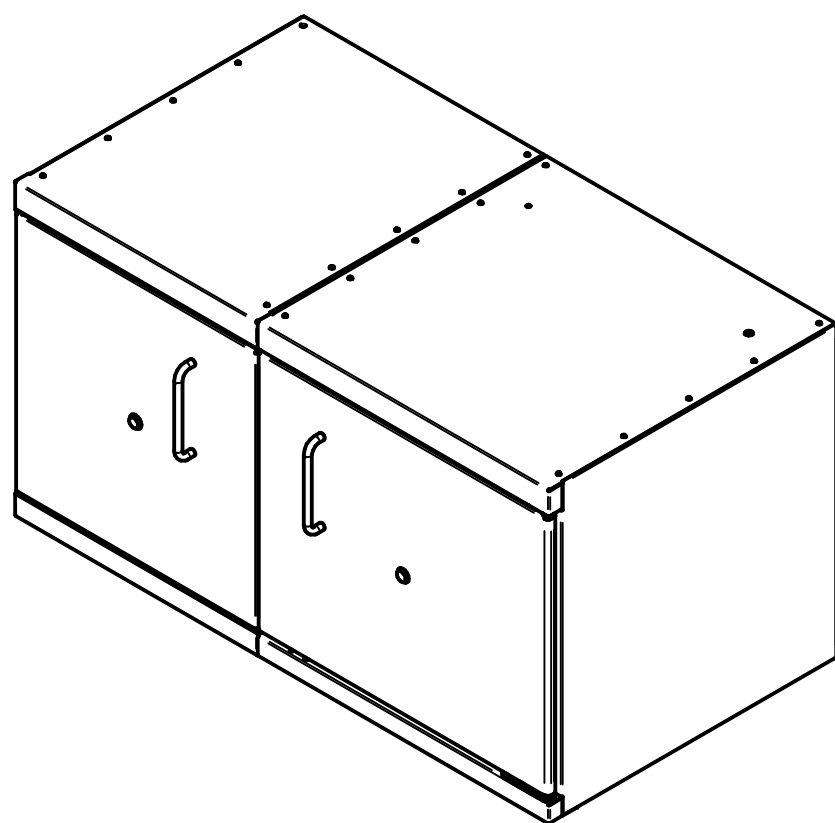
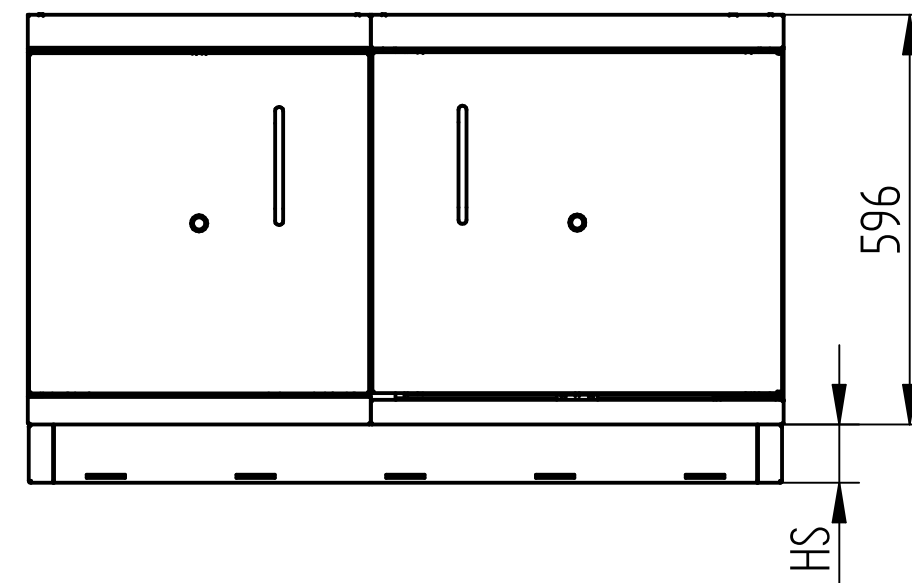
External floor



Classical base



ToeKick-base



Variable base versions			
	External floor	Classical base	ToeKick-base
HS (mm)	3	20 bis 135	60 bis 135

Base versions

This drawing is our property! Furnish this information to other persons and reproduce or copy is not permitted without our written permission.	title: HSC UTS ergo Hazardous Substance Center with wing doors		
	drawing no.: D00111162	page: 4 of 4	
Düperthal Sicherheitstechnik Frankenstrasse 3 D-63791 Karlstein	revision: 00	date: 2021-03-24	