

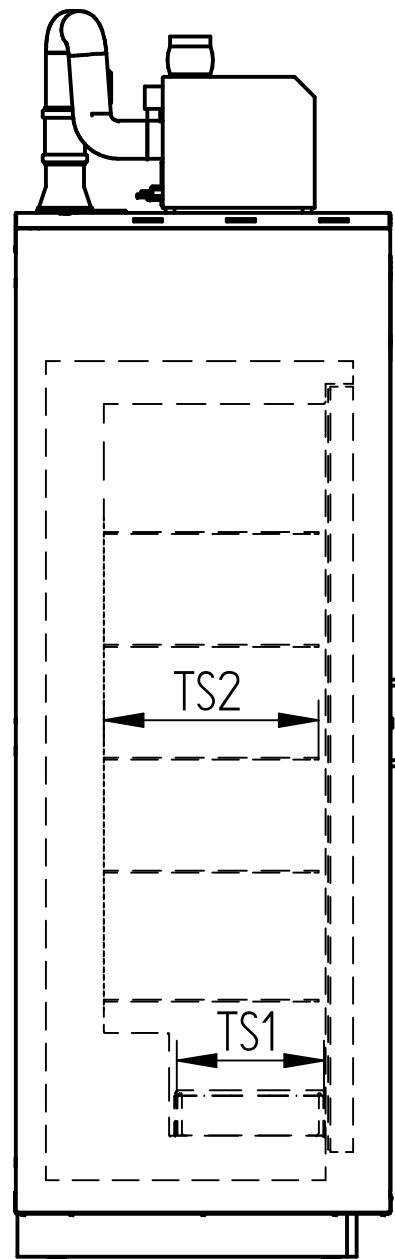
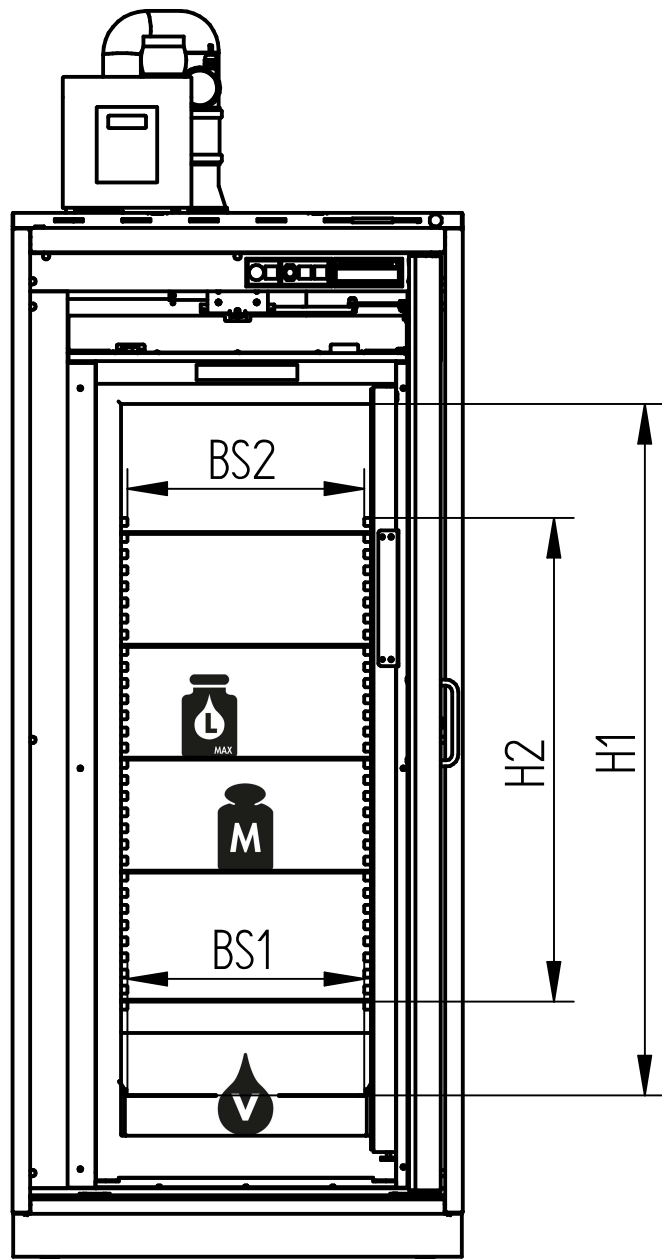


| | Model type |
|-------------------|------------|
| | XL |
| H (mm) | 2045 |
| B (mm) | 894 |
| T (mm) | 747 |
| T1 (mm) | 1535 |
| Doors | 1 |
| Empty weight (kg) | 460 |

Outer dimensions

| | | | |
|--|---|------------------|---|
| This drawing is our property! Furnish this information to other persons and reproduce or copy is not permitted without our written permission. | title: Safety cabinet type 90 COOL standard XL | |  |
| | drawing no: 00011257 | page: 1 of 5 | |
| Düperthal Sicherheitstechnik Frankenstrasse 3 D-63791 Karlstein | revision: 00 | date: 2021-03-26 |  |

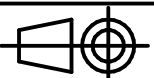



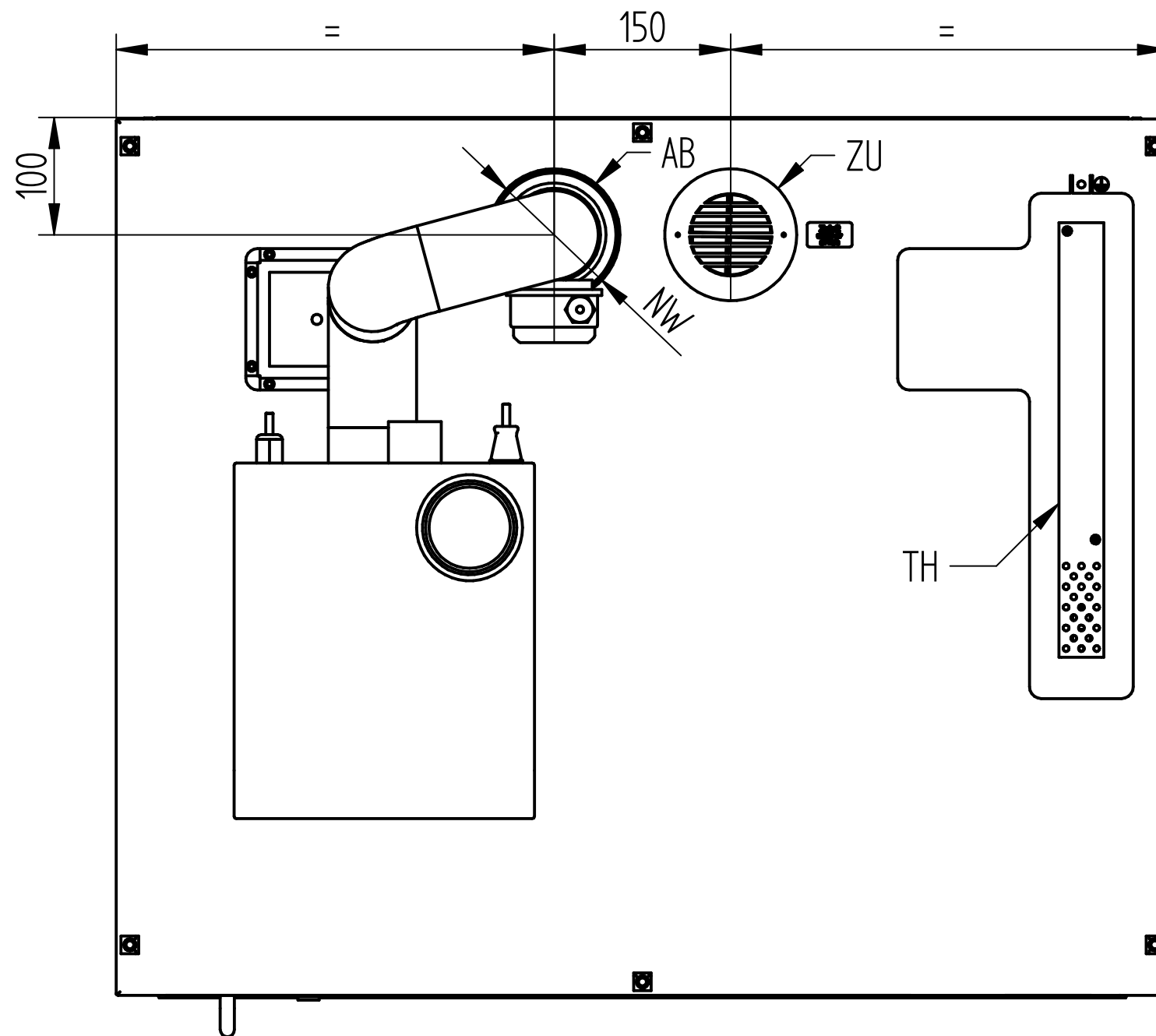
| | Model type |
|------------------------------------|----------------------------|
| | XL |
| H1 (mm) | 1372 |
| H2 (mm) | 31 Settings in the grid 32 |
| BS1 (mm) | 470 |
| BS2 (mm) | 470 |
| TS1 (mm) | 292 |
| TS2 (mm) | 420 |
| M (kg) | 40 |
| L (l) | 10 |
| V (l) | 11 |
| Number of glass shelves | 5 |
| Max. payload (kg) | 240 |
| Max. permissible total weight (kg) | 700 |

- H1: Adjustable height above shelf
- H2: Grid height for glass storage shelf
- BS1: Glass storage shelf standing surface width
- BS2: Shelf standing surface width
- TS1: Glass shelf standing surface depth
- TS2: Shelf standing surface depth
- M: Standing surface load bearing capacity
- L: Max. volume of largest individual container
- V: Max. collection volume

| Technical and electrical data | Mode type |
|--|-----------------|
| | XL |
| Cooling area volume (m ³) | 0,307 |
| Refrigerant / Refrigerant quantity (g) | R600a / 52 |
| Temperature range (°C) | +3 - +15 |
| Climate class | 5 |
| Connection voltage (V) | 220 - 240 |
| Frequency (Hz) | 50 |
| Current consumption (A) | 1,5 |
| Connector type (venting system) | Typ F (CEE 7/4) |
| Connecting cable length (m) | 1,80 |

Inner dimensions

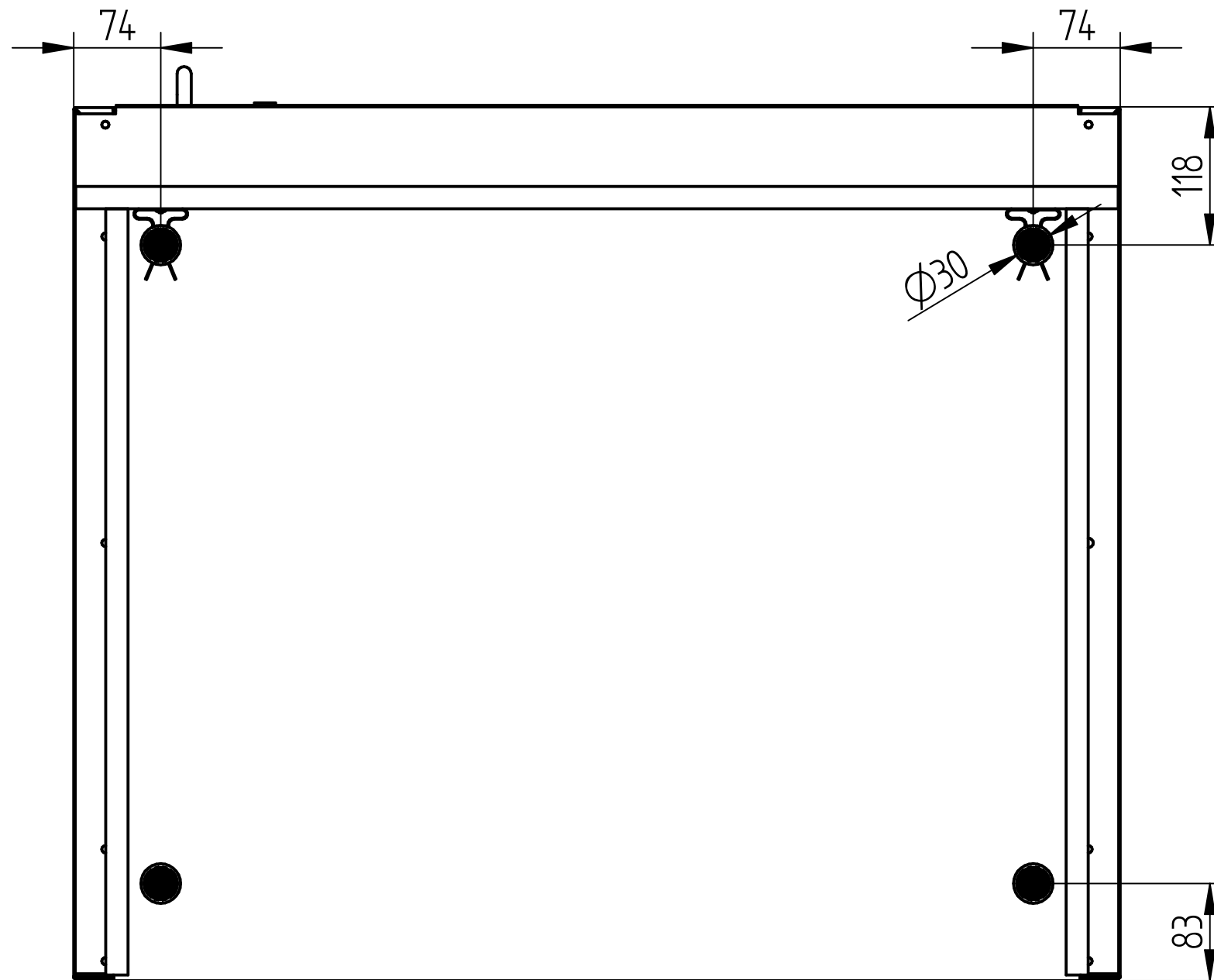
| | | | |
|---|---|------------------|---|
| This drawing is our property! Furnish this information to other persons and reproduce or copy is not permitted without our written permission. | title: Safety cabinet type 90 COOL standard XL | |  |
| | drawing no.: D00111257 | page: 2 of 5 | |
| Düperthal Sicherheitstechnik Frankenstrasse 3 D-63791 Karlstein | revision: 00 | date: 2021-03-26 |  |



- NW: 110, with adapter 75
- AB: Exhaust air connection
- ZU: Supply air
- TH: Thermocouple

Ventilation connection

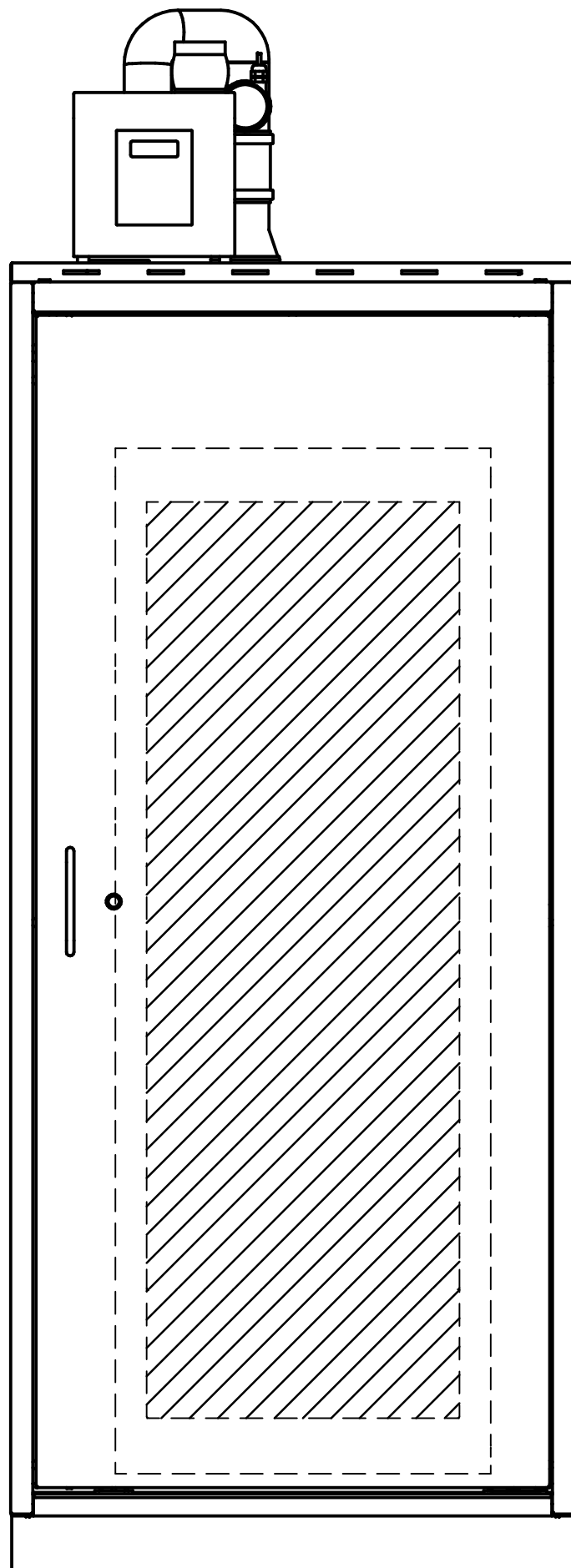
| | | | |
|--|---|------------------|--|
| This drawing is our property! Furnish this information to other persons and reproduce or copy is not permitted without our written permission. | title: Safety cabinet type 90 COOL standard XL | | |
| | drawing no.: 00011257 | page: 3 of 5 | |
| Düperthal Sicherheitstechnik Frankenstrasse 3 D-63791 Karlstein | revision: 00 | date: 2021-03-26 | |
| | | | |



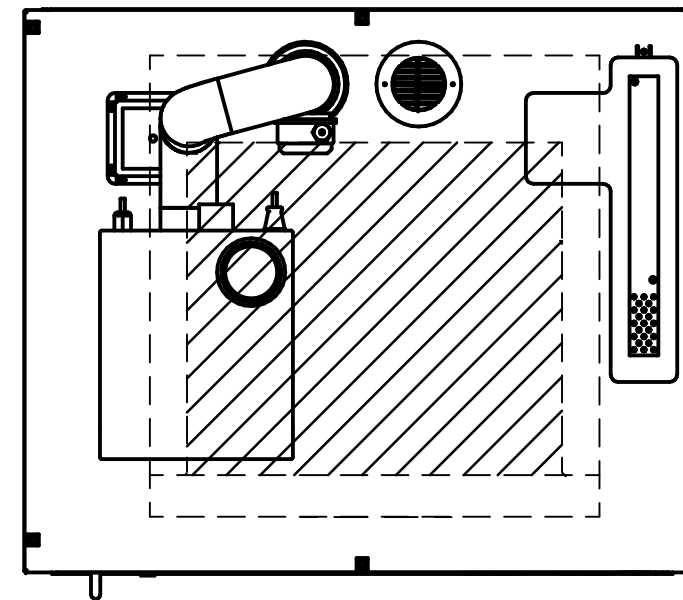
● Loaded footprint

Geometry of the adjustable feet

| | | | |
|--|---|--------------|--|
| This drawing is our property! Furnish this information to other persons and reproduce or copy is not permitted without our written permission. | title: Safety cabinet type 90 COOL standard XL | | |
| | drawing no.: 000111257 | page: 4 of 5 | |
| Düperthal Sicherheitstechnik Frankenstrasse 3 D-63791 Karlstein | | | |



Top view



Ex-Zones

| | | | |
|--|---|------------------|--|
| This drawing is our property! Furnish this information to other persons and reproduce or copy is not permitted without our written permission. | title: Safety cabinet type 90 COOL standard XL | | |
| | drawing no: 00011257 | page: 5 of 5 | |
| Düperthal Sicherheitstechnik Frankenstrasse 3 D-63791 Karlstein | revision: 00 | date: 2021-03-26 | |
| | | | |