



	Model type			
	ACID U pro		ACID B pro	
	S	L (CPW)	S	L (CPW)
H (mm)	631	631	805	805
B (mm)	600	1100	600	1100
T (mm)	609	609	609	609
T1 (mm)	1207	1159	1207	1159
Doors	1	2	1	2
Tare weight (kg)	35	65	40	75
Inside cabinet volume (m³)	0,18	2x 0,16	0,23	2x 0,21

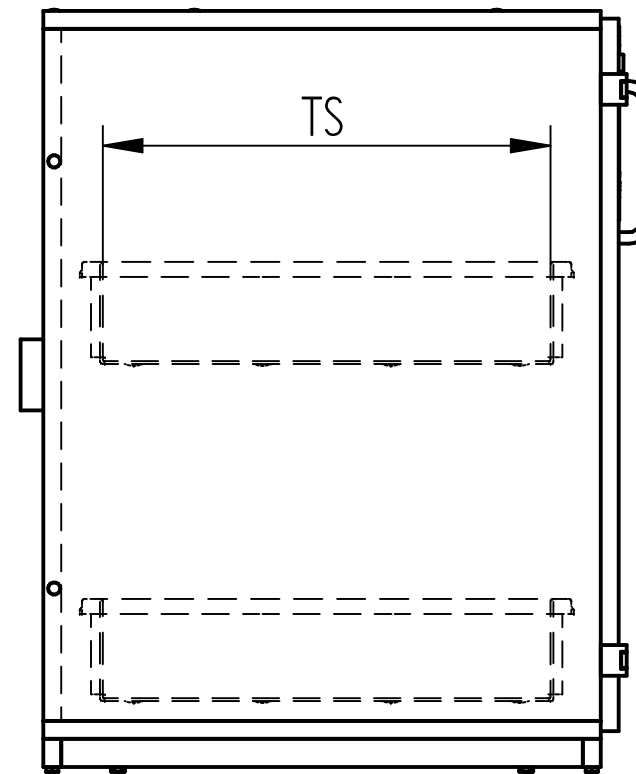
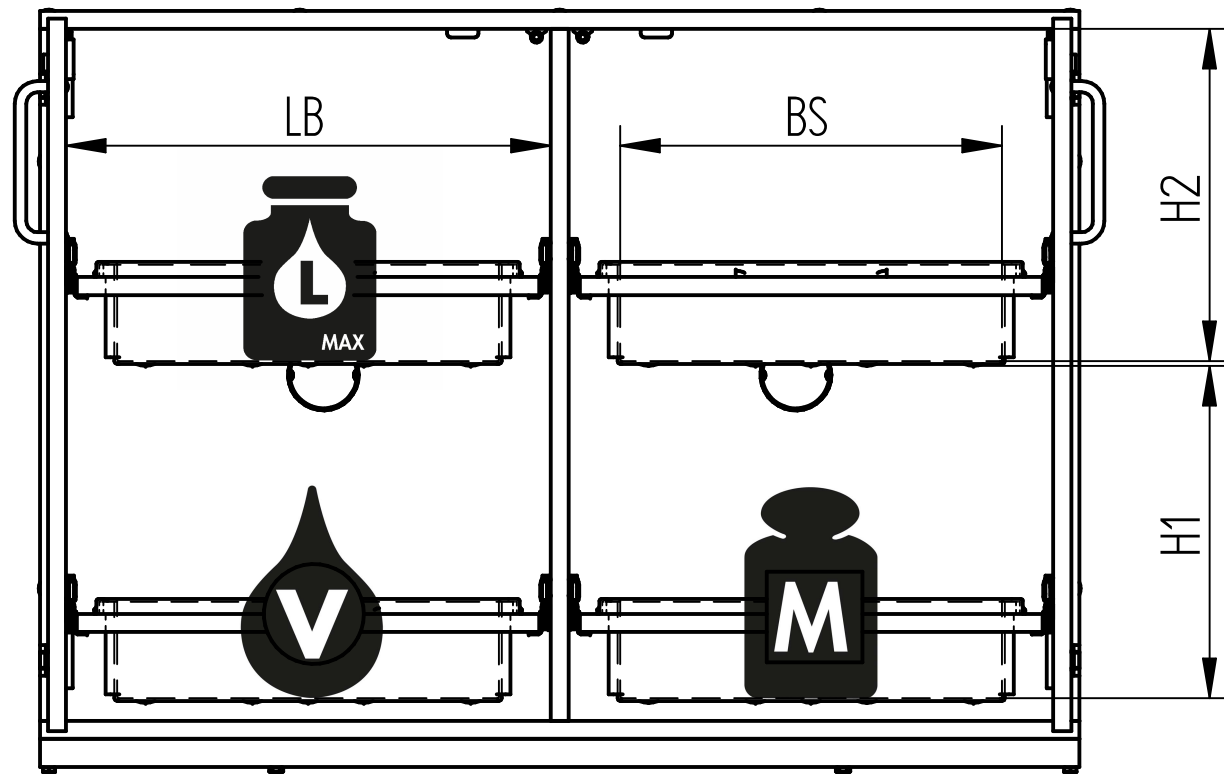
CPW: Centre partition wall

* Standard base height

Base heights from 20 to 135mm possible

Outer dimensions

This drawing is our property! Furnish this information to other persons and reproduce or copy is not permitted without our written permission.	title: ACID U pro, ACID B pro Safety cabinet with wing door(s)		
	drawing no.: 000111779	page: 1 of 4	
Düperthal Sicherheitstechnik Frankenstrasse 3 D-63791 Karlstein	revision: 00	date: 2021-05-21	



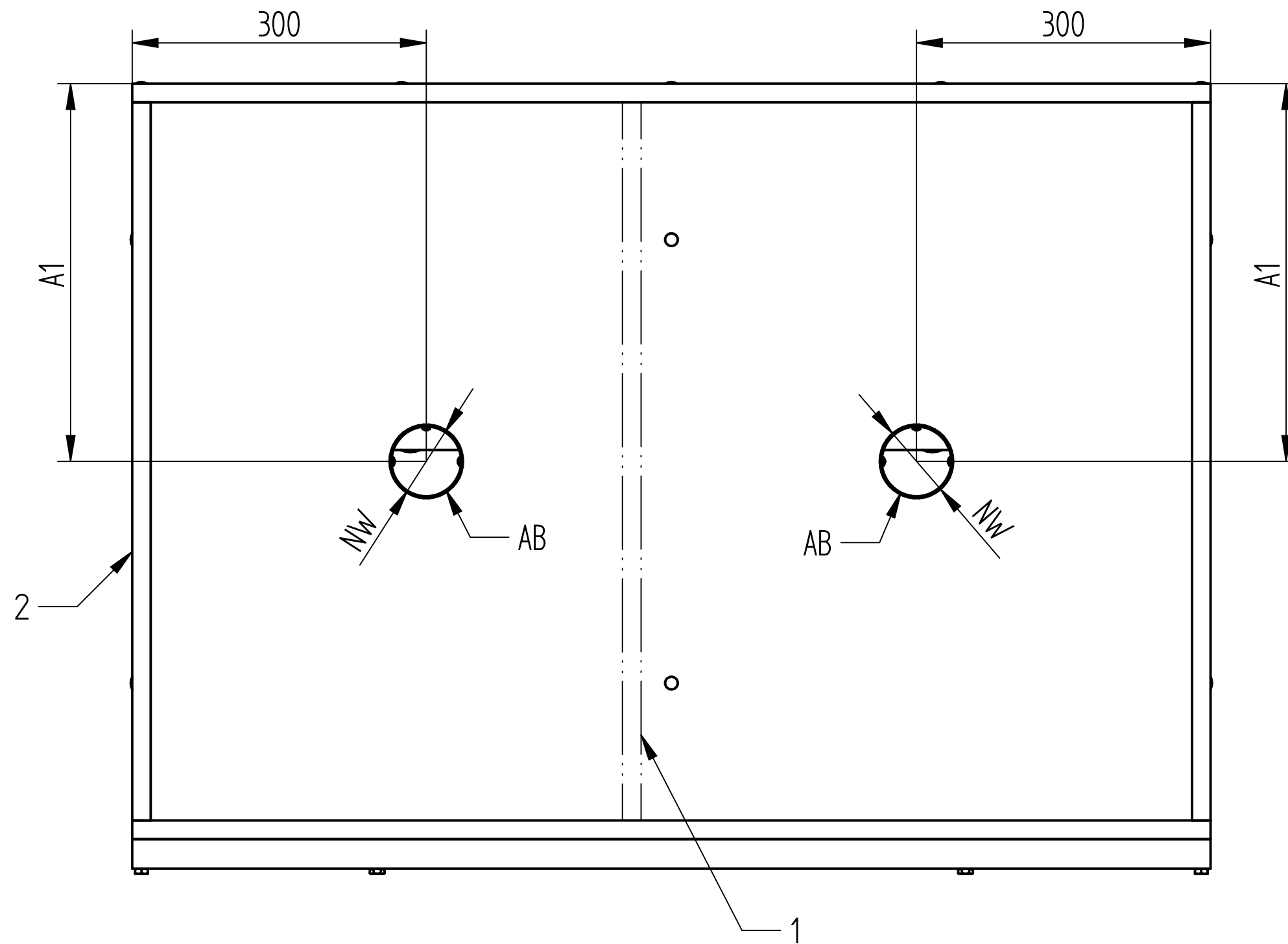
	Model type	
	ACID U pro ACID B pro	
	S	L (CPW)
BS (mm)	474	404
TS (mm)	404	474
M (kg)	40	40
Max. additional load (kg)	80	160
L (l)	17	17
V (l)	19	19
LB (mm)	553	2x 513
Number of pull-out trays	2	4

- BS: Width pull-out tray
- TS: Depth pull-out tray
- M: Load bearing capacity per pull-out tray (uniformly distributed)
- L: Max. volume of the individual container
- V: Max. collection volume per pull-out tray
- LB: Clear width
- CPW: Centre partition wall

Max. setting height (mm)		
	Model type	
	ACID U pro	ACID B pro
H1	264	350
H2	264	350

Inner dimensions

This drawing is our property! Furnish this information to other persons and reproduce or copy is not permitted without our written permission.	title: ACID U pro, ACID B pro Safety cabinet with wing door(s)		
	drawing no: 000111779	page: 2 of 4	
Düperthal Sicherheitstechnik Frankenstrasse 3 D-63791 Karlstein	revision: 00	date: 2021-05-21	

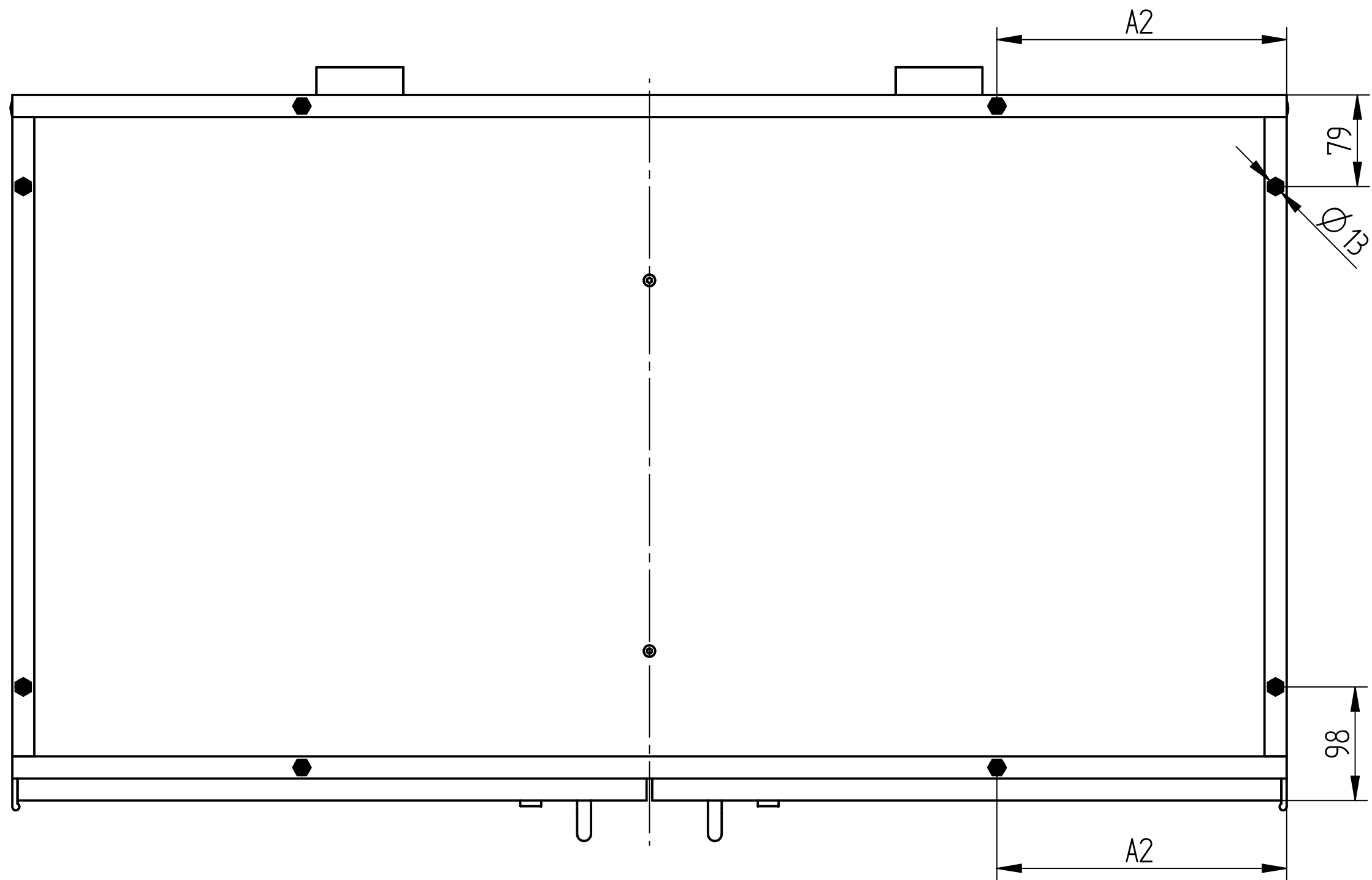


	Model type	
	ACID U pro	ACID B pro
A1 (mm)	298	385

- 1: Model type ACID U pro S and ACID B pro S
- 2: Model type ACID U pro L and ACID B pro L
- NW: 75
- AB: Exhaust air connection

Ventilation connection

This drawing is our property! Furnish this information to other persons and reproduce or copy is not permitted without our written permission.	title: ACID U pro, ACID B pro Safety cabinet with wing door(s)		
	drawing no: 000111779	page: 3 of 4	
Düperthal Sicherheitstechnik Frankenstrasse 3 D-63791 Karlstein	revision: 00	date: 2021-05-21	



● Loaded footprint

	Model type	
	ACID U pro ACID B pro	
	S	L
A2	60	250

Geometry of the feet

This drawing is our property! Furnish this information to other persons and reproduce or copy is not permitted without our written permission.	title: ACID U pro, ACID B pro Safety cabinet with wing door(s)		
	drawing no.: 000111779	page: 4 of 4	
Düperthal Sicherheitstechnik Frankenstrasse 3 D-63791 Karlstein	revision: 00	date: 2021-05-21	