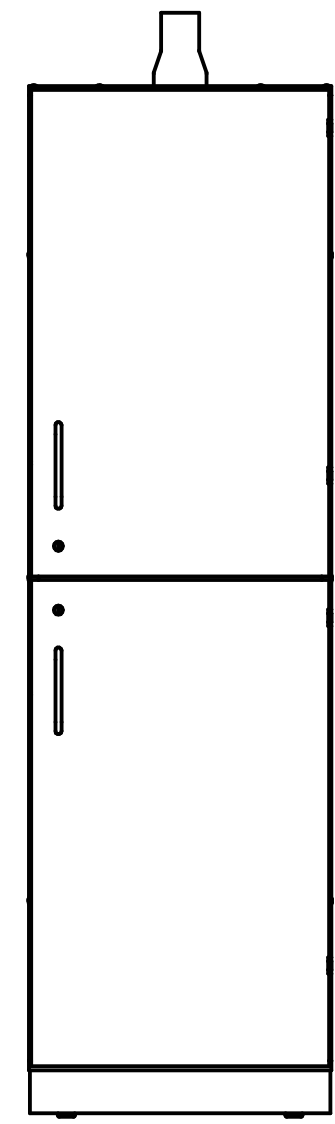


Model type M
with 2 doors

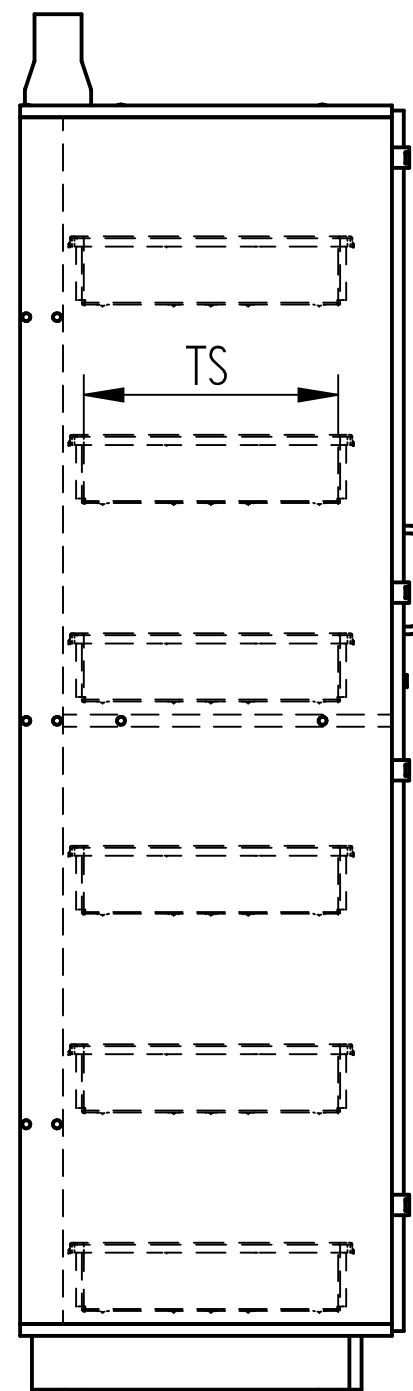
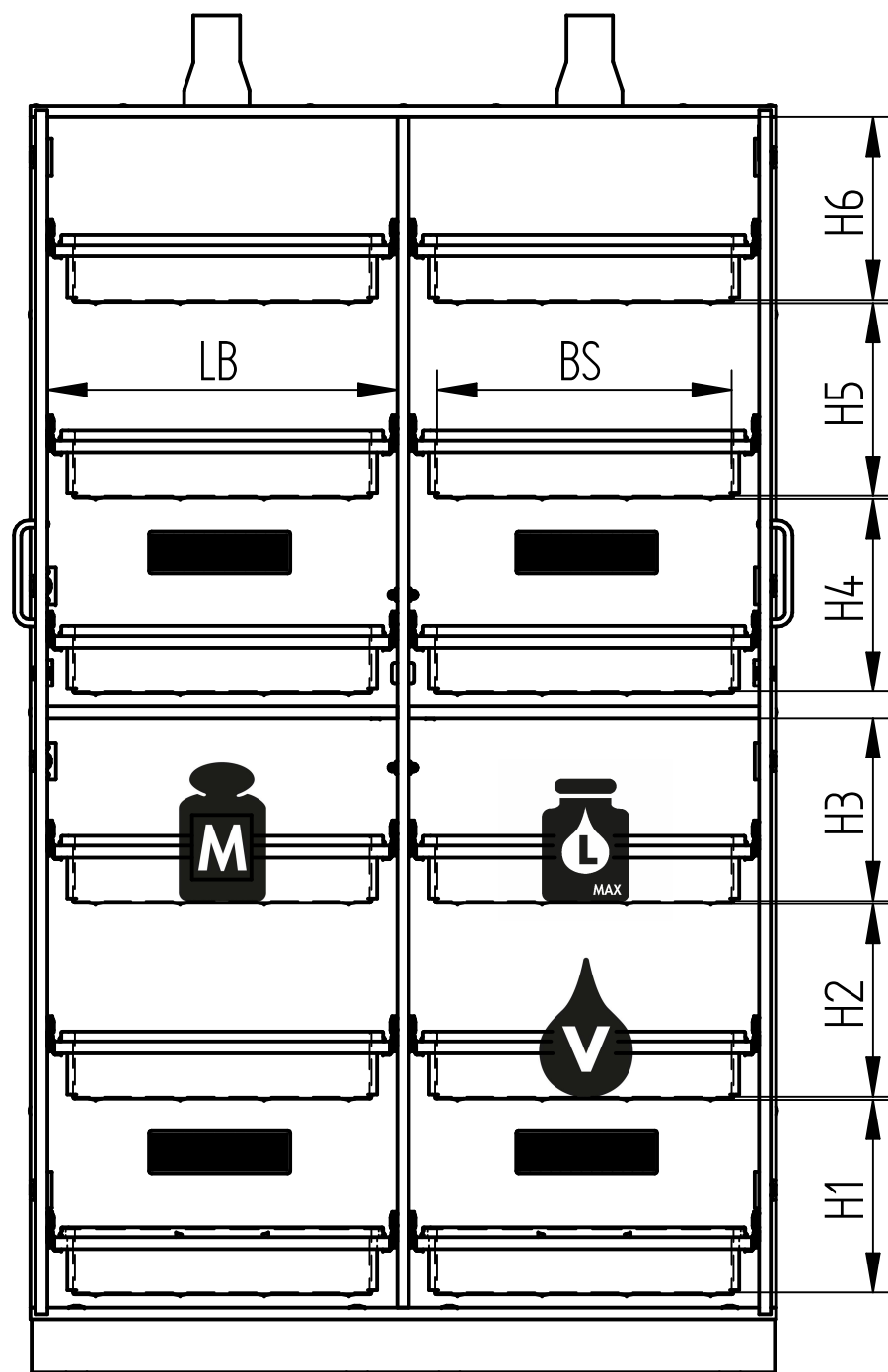


	Model type			
	S	XS (CPW)	M	XL (CPW)
H (mm)	1385	1385	2045	2045
B (mm)	600	1200	600	1200
T (mm)	609	609	609	609
T1 (mm)	1207	1209	1207	1209
Doors	1	2	1 / 2	2
Tare weight (kg)	75	145	110 - 115*	205 - 215*
Inside cabinet volume (m ³)	0,37	2x 0,37	0,56	2x 0,56

CPW: Centre partition wall
* varies according to the number of pull-out trays

Outer dimensions

This drawing is our property! Furnish this information to other persons and reproduce or copy is not permitted without our written permission.	title: ACID C pro Safety cabinet with wing door(s)		
	drawing no.: D00111785	page: 1 of 5	
Düperthal Sicherheitstechnik Frankenstrasse 3 D-63791 Karlstein	revision: 00	date: 2021-05-21	



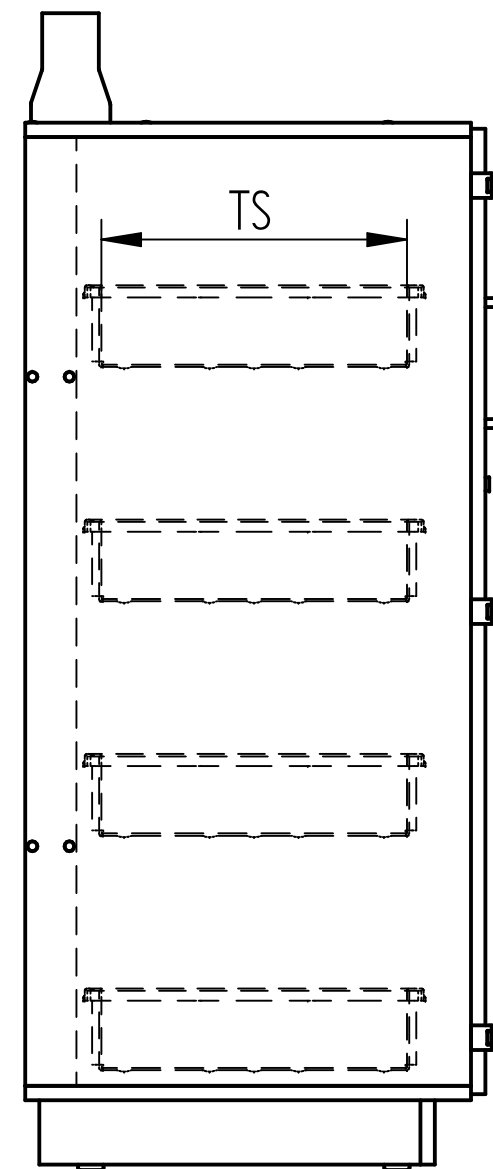
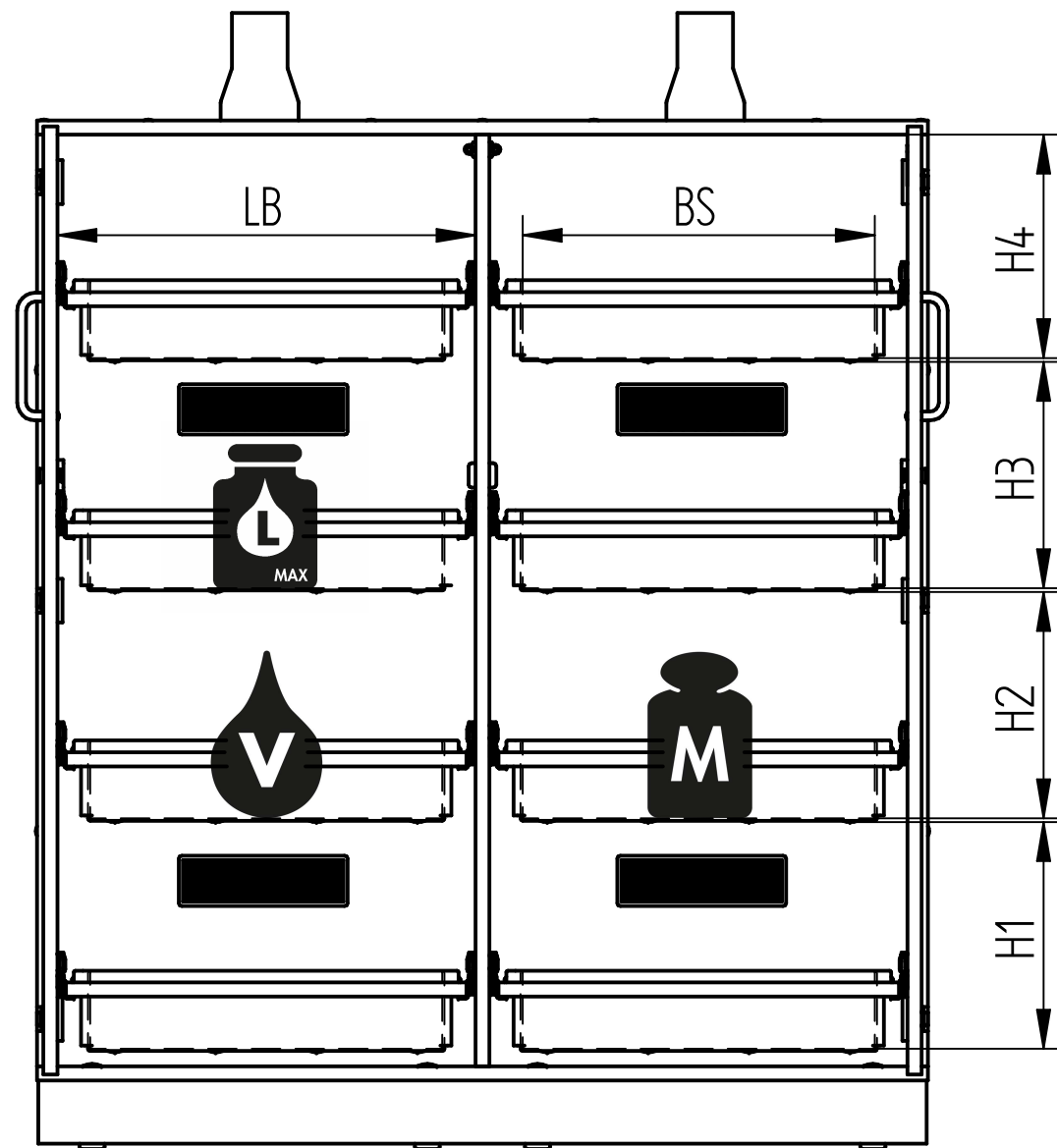
- BS: Width pull-out tray
- TS: Depth pull-out tray
- M: Load bearing capacity per pull-out tray (uniformly distributed)
- L: Max. volume of the individual container
- V: Max. collection volume per pull-out tray
- LB: Clear width
- CPW: Centre partition wall

	Model type	
	M	XL (CPW)
BS (mm)	474	474
TS (mm)	404	404
M (kg)	40	40
Max. additional load (kg)	240	480
L (l)	17	17
V (l)	19	19
LB (mm)	553	2x 563
Number of pull-out trays	4 / 6	8 / 12

Max. setting height (mm)		
		Model type M, XL
4 pull-out trays	H1	460
	H3	459
	H4	460
	H6	459
6 pull-out trays	H1	310
	H2	310
	H3	294
	H4	310
	H5	310
	H6	294

Inner dimensions M, XL

This drawing is our property! Furnish this information to other persons and reproduce or copy is not permitted without our written permission.	title: ACID C pro Safety cabinet with wing door(s)		
	drawing no.: D00111785	page: 2 of 5	
Düperthal Sicherheitstechnik Frankenstrasse 3 D-63791 Karlstein	revision: 00	date: 2021-05-21	





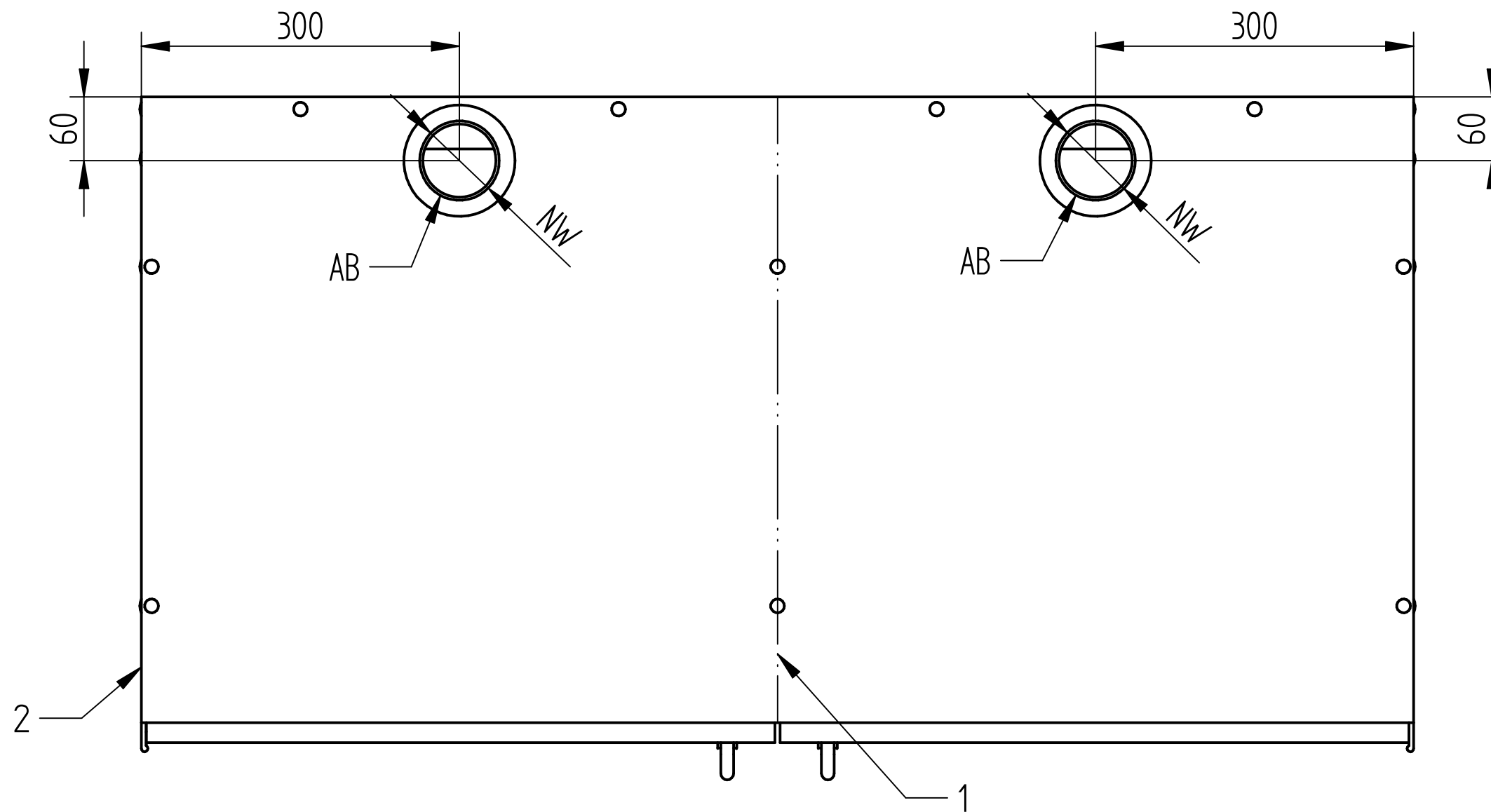
	Model type	
	S	XS (CPW)
BS (mm)	474	474
TS (mm)	404	404
M (kg)	40	40
Max. additional load (kg)	160	320
L (l)	17	17
V (l)	19	19
LB (mm)	553	2x 563
Number of pull-out trays	4	8

Max. setting height (mm)	
	Model type S, XS
H1	305
H2	305
H3	305
H4	300

- BS: Width pull-out tray
- TS: Depth pull-out tray
- M: Load bearing capacity per pull-out tray (uniformly distributed)
- L: Max. volume of the individual container
- V: Max. collection volume per pull-out tray
- LB: Clear width
- CPW: Centre partition wall



Inner dimensions S, XS

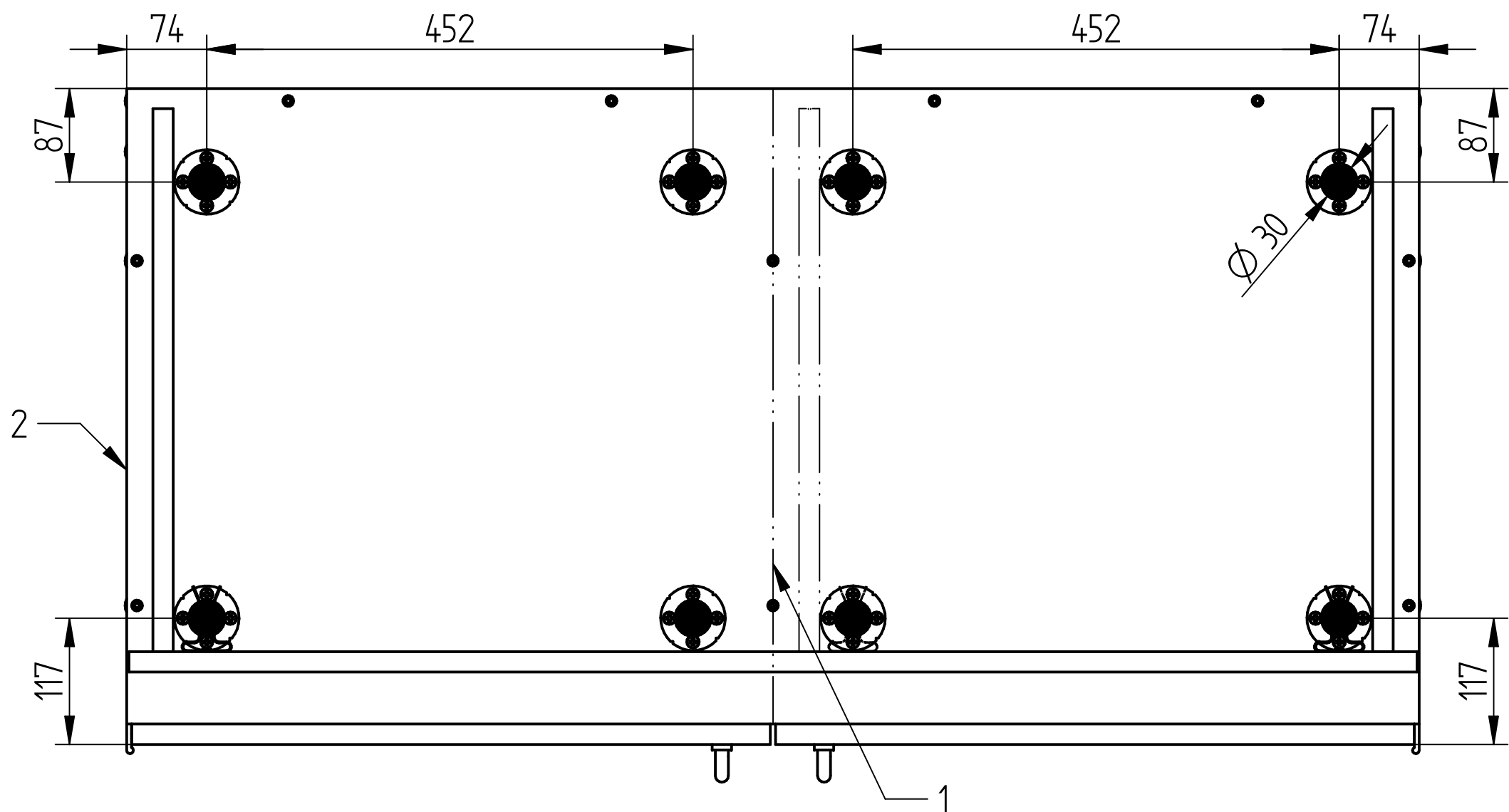
This drawing is our property! Furnish this information to other persons and reproduce or copy is not permitted without our written permission.	title: ACID C pro Safety cabinet with wing door(s)		
	drawing no.: D00111785	page: 3 of 5	
Düperthal Sicherheitstechnik Frankenstrasse 3 D-63791 Karlstein	revision: 00	date: 2021-05-21	



- 1: Model type S and M
- 2: Model type XS and XL
- NW: 75
- AB: Exhaust air connection

Ventilation connection

This drawing is our property! Furnish this information to other persons and reproduce or copy is not permitted without our written permission.	title: ACID C pro Safety cabinet with wing door(s)		
	drawing no.: D00111785	page: 4 of 5	
Düperthal Sicherheitstechnik Frankenstrasse 3 D-63791 Karlstein	revision: 00	date: 2021-05-21	
			



	Model type	
	S, M	XS, XL
Number of adjustable feet	4	8

- Loaded foot print
- 1: Model type S and M
- 2: Model type XS and XL

Geometry of the adjustable feet

This drawing is our property! Furnish this information to other persons and reproduce or copy is not permitted without our written permission.	title: ACID C pro Safety cabinet with wing door(s)		
	drawing no.: 000111785	page: 5 of 5	
Düperthal Sicherheitstechnik Frankenstrasse 3 D-63791 Karlstein	revision: 00	date: 2021-05-21	